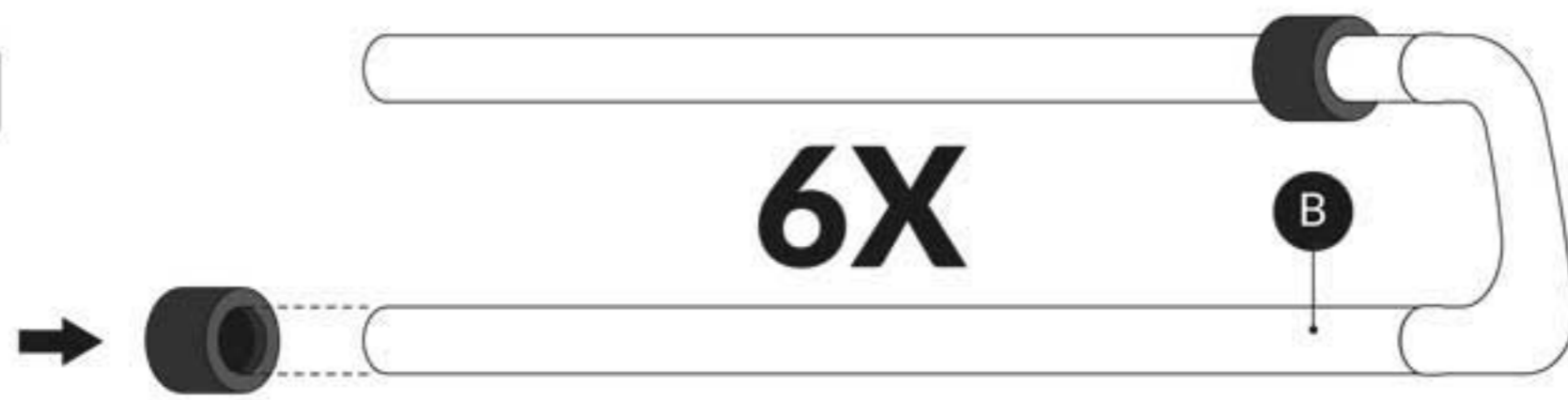


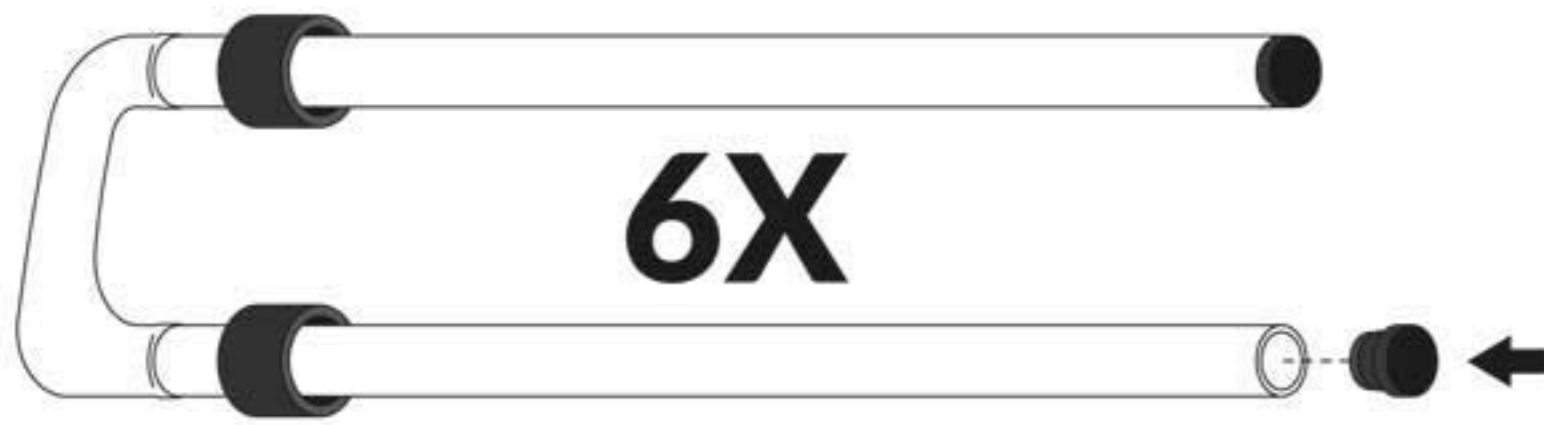
BILBRÖDERNA

<p>F529 2X</p> <p>K</p>	<p>F527 2X</p> <p>L</p>	<p>F528 2X</p> <p>M</p>	<p>M-460641AY 12X</p> <p>rubber end caps</p>	<p>M-460641AL 12X</p> <p>plastic end caps</p>	<p>M-M37202_2014 2X</p>
<p>M-SM6X14AI 18X</p>	<p>ALLEN KEY 4 1X</p>	<p>M-10683 2X</p>	<p>M-460641K 2X</p>	<p>M-460641I 2X</p>	

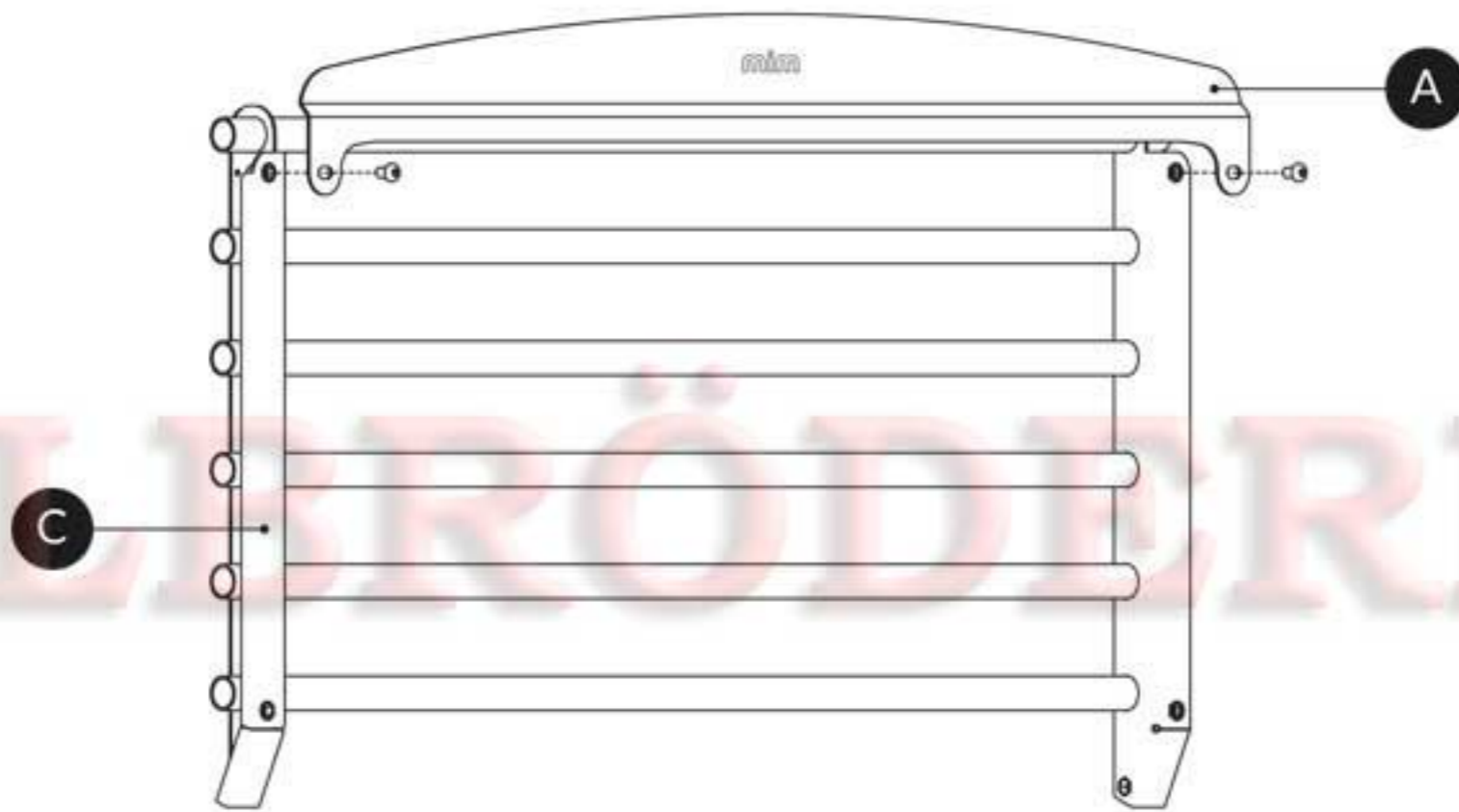
STEP
1



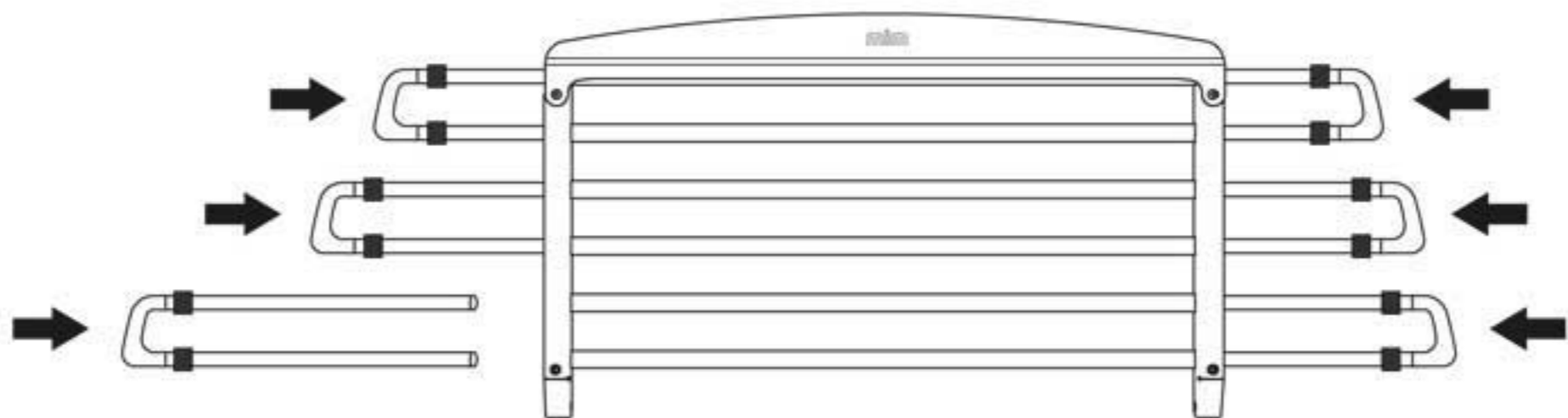
STEP
2



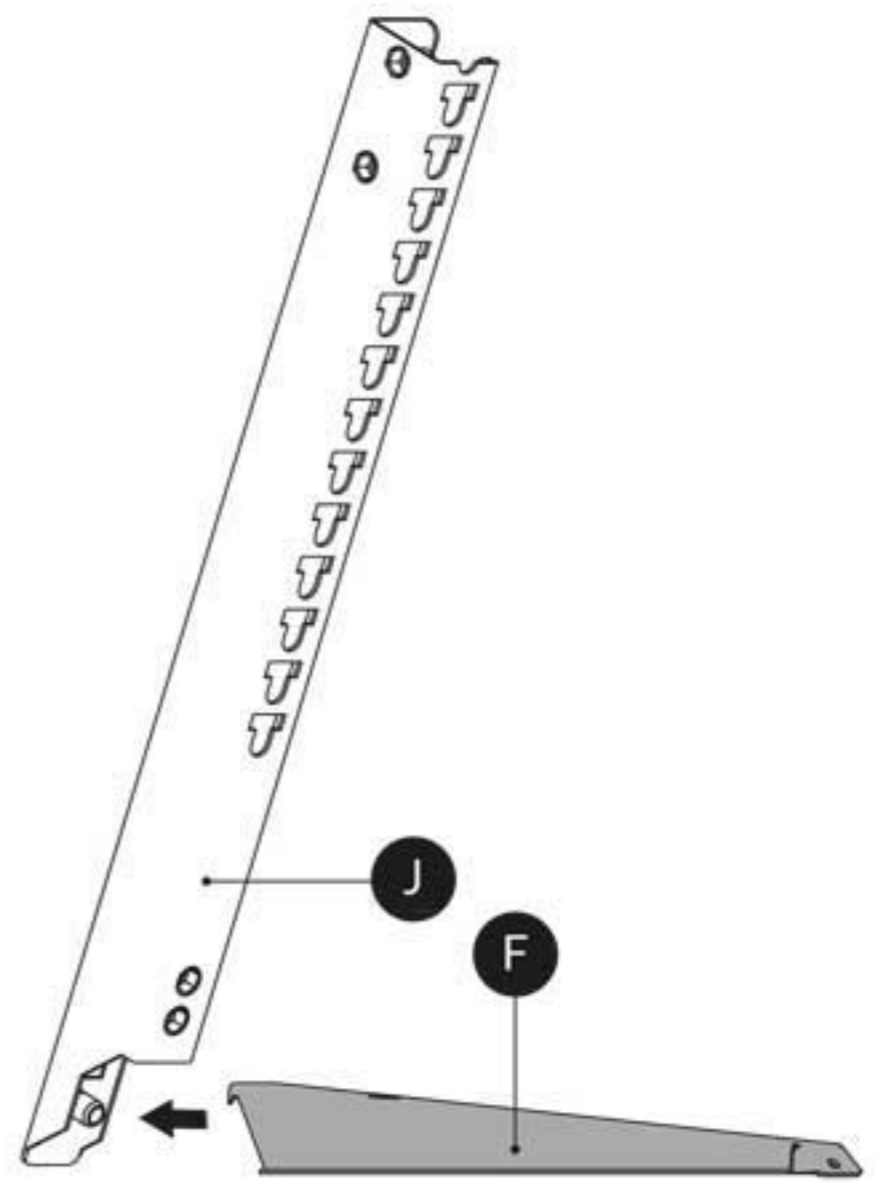
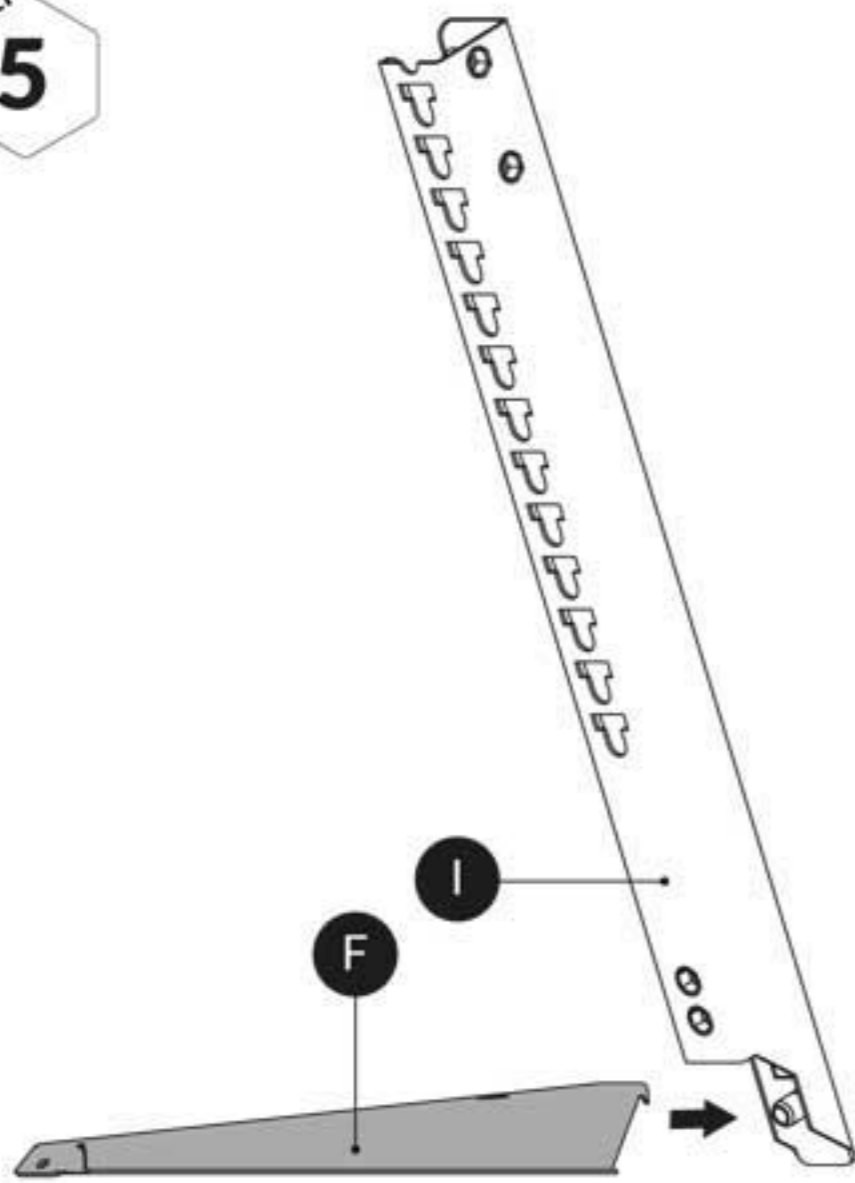
STEP
3



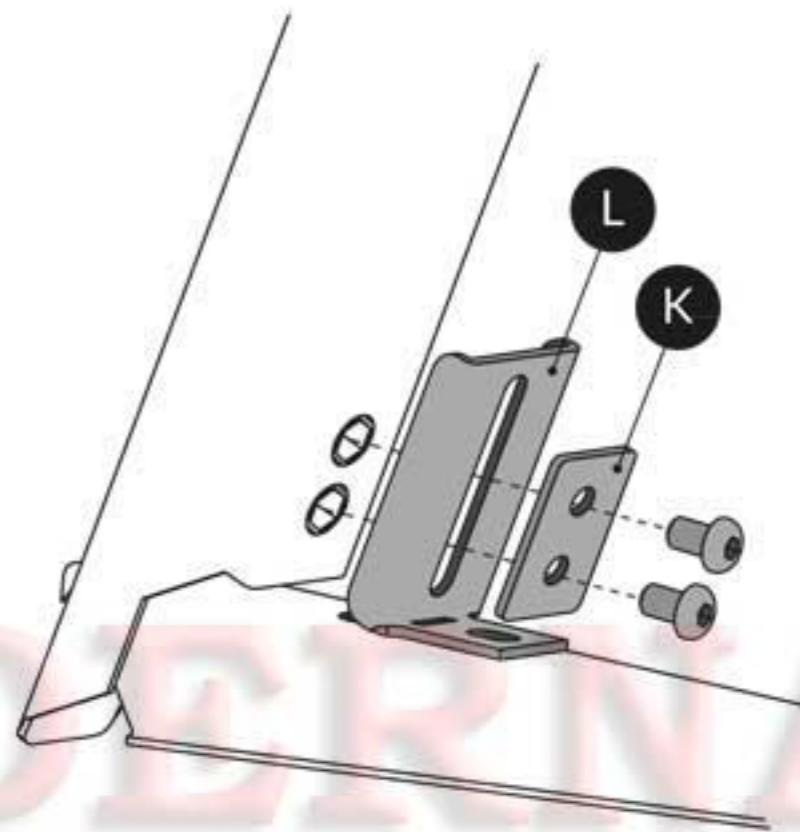
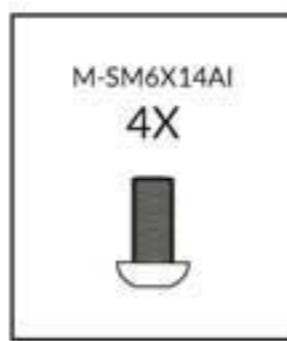
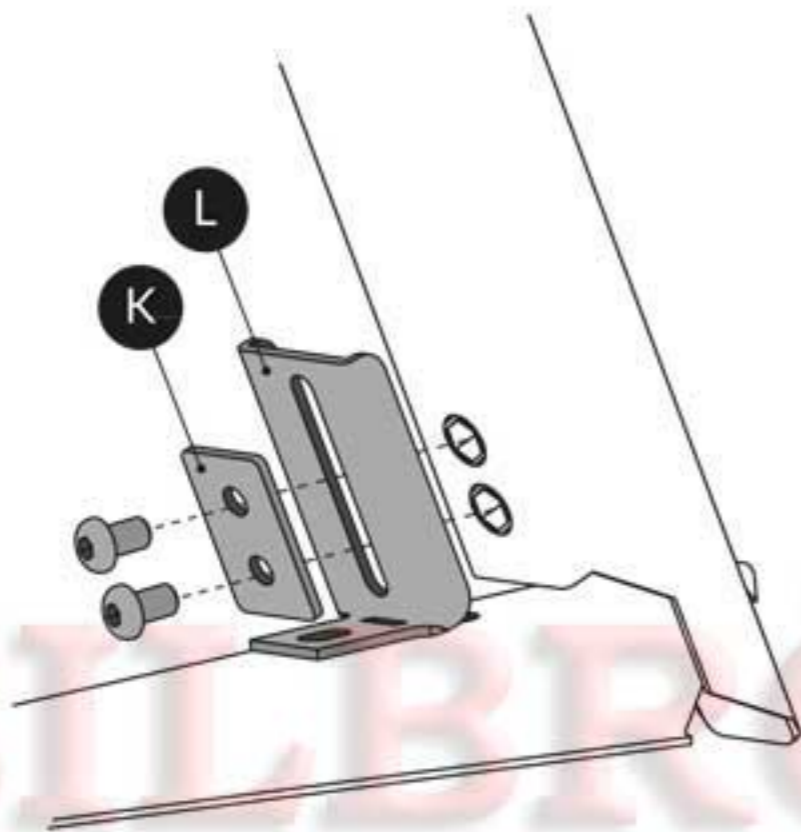
STEP
4



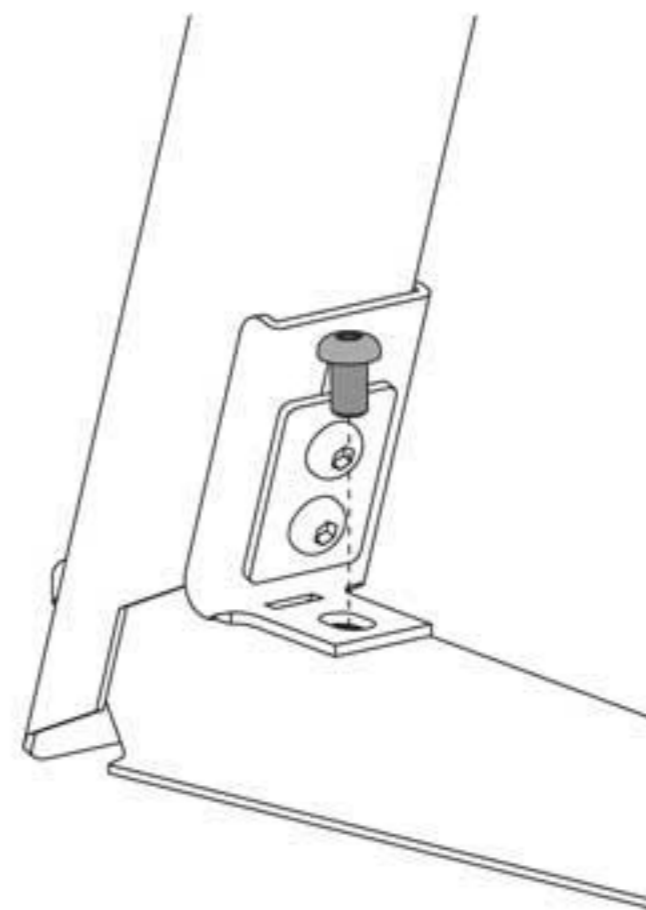
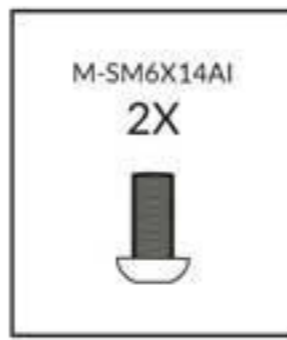
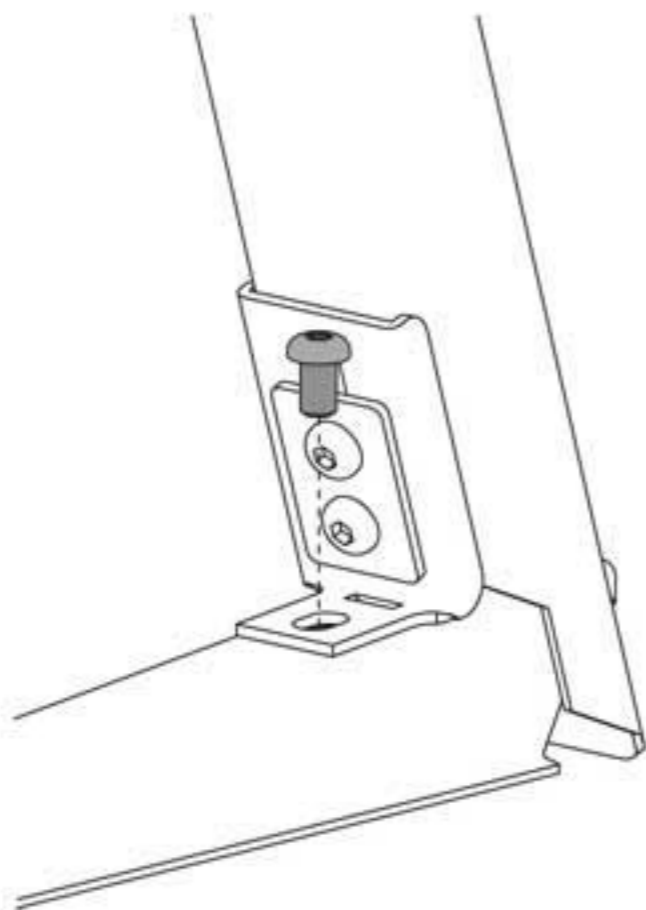
STEP
5



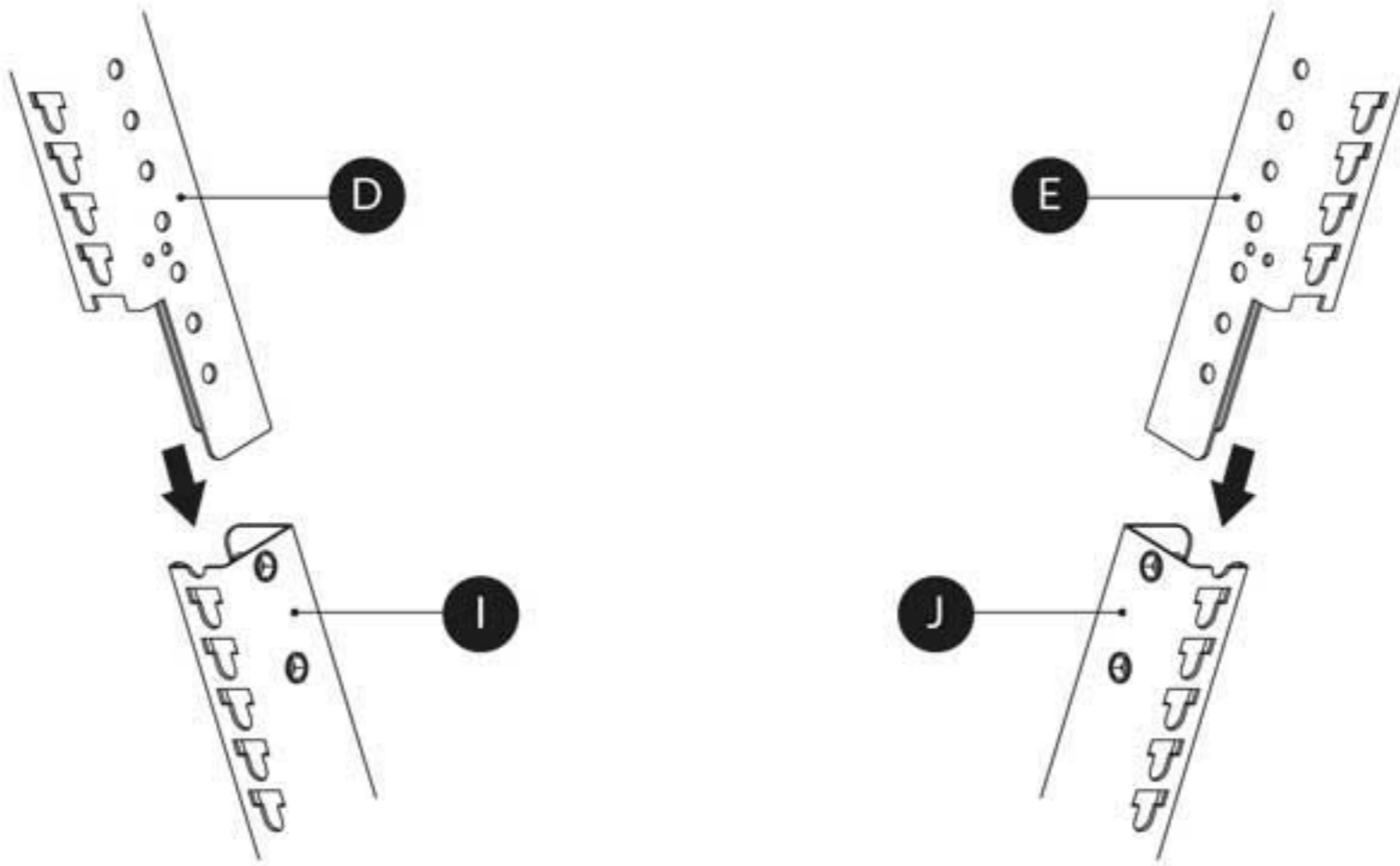
STEP
6



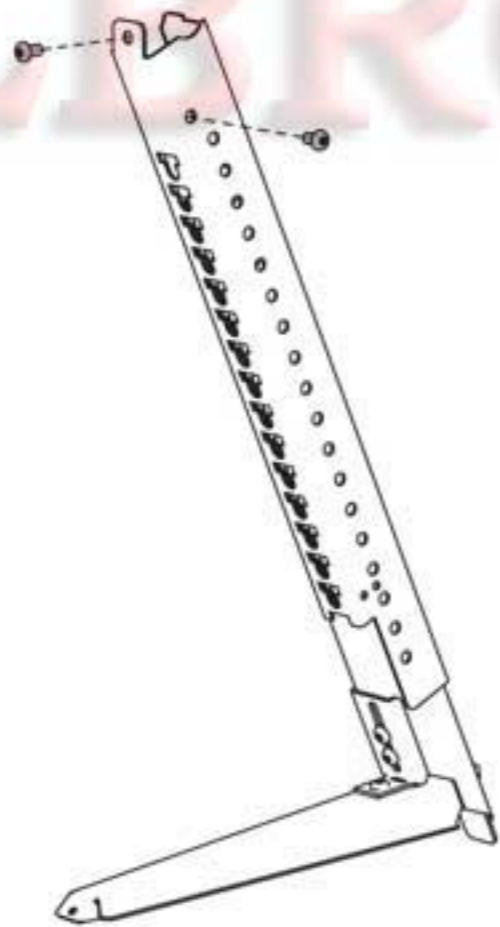
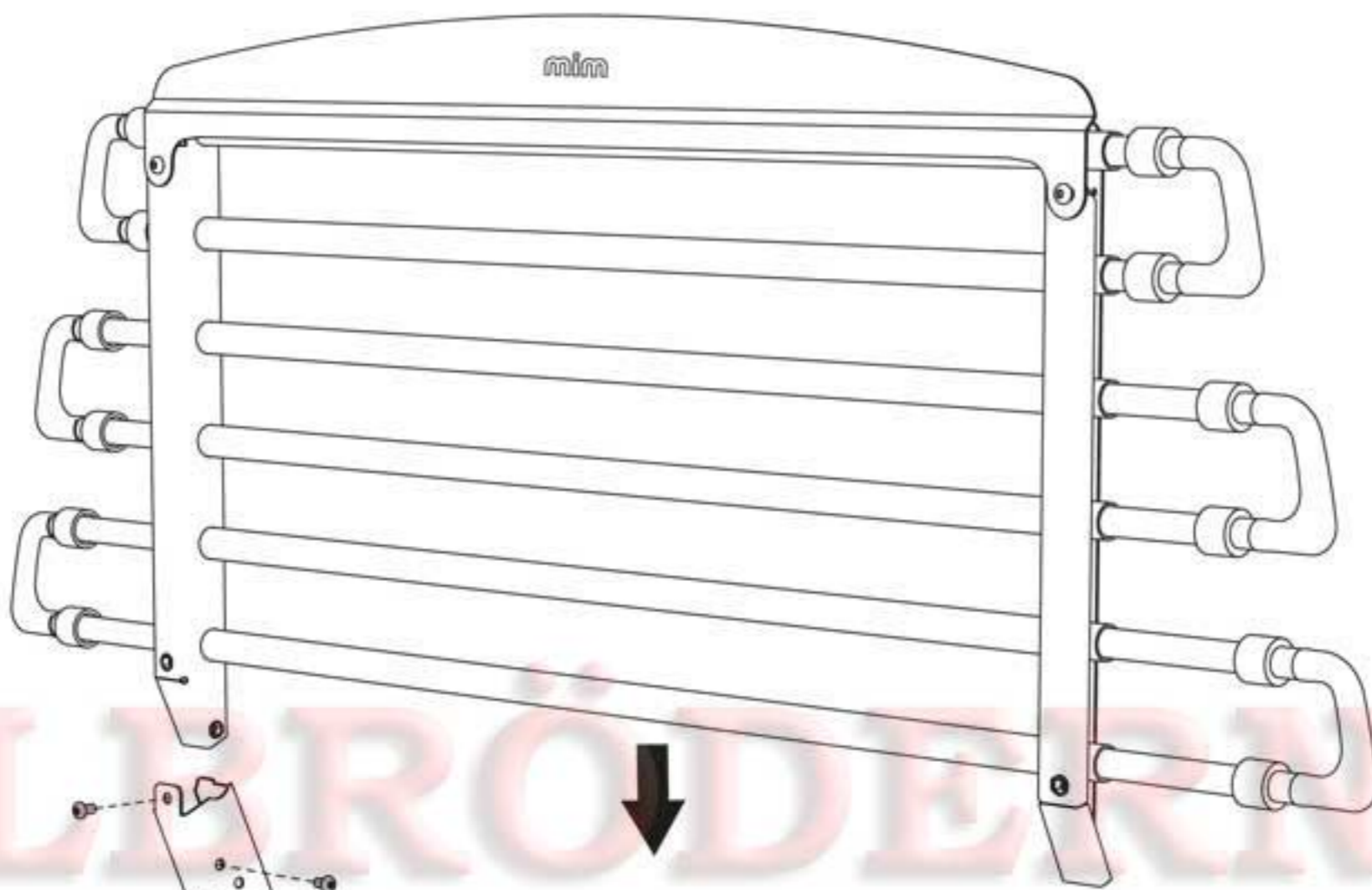
STEP
7



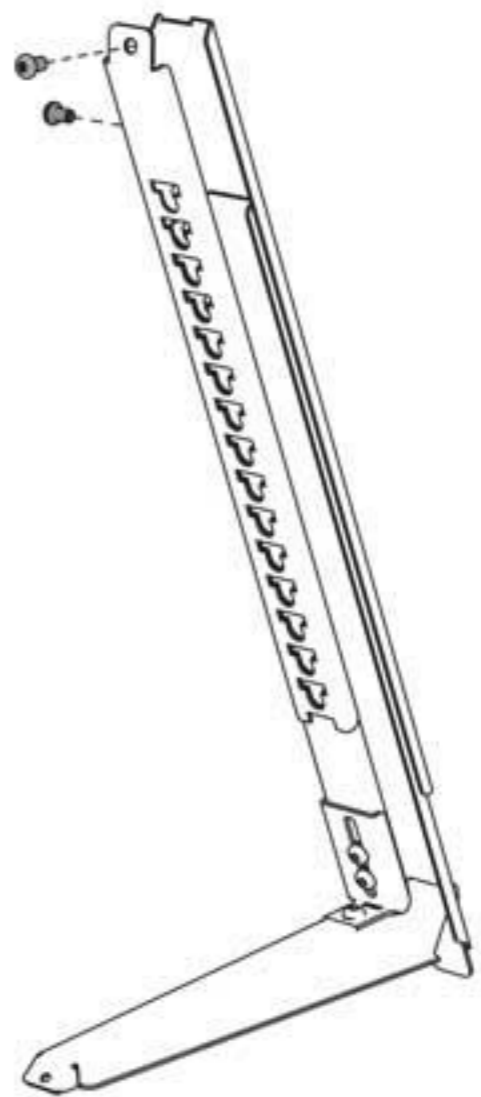
STEP
8



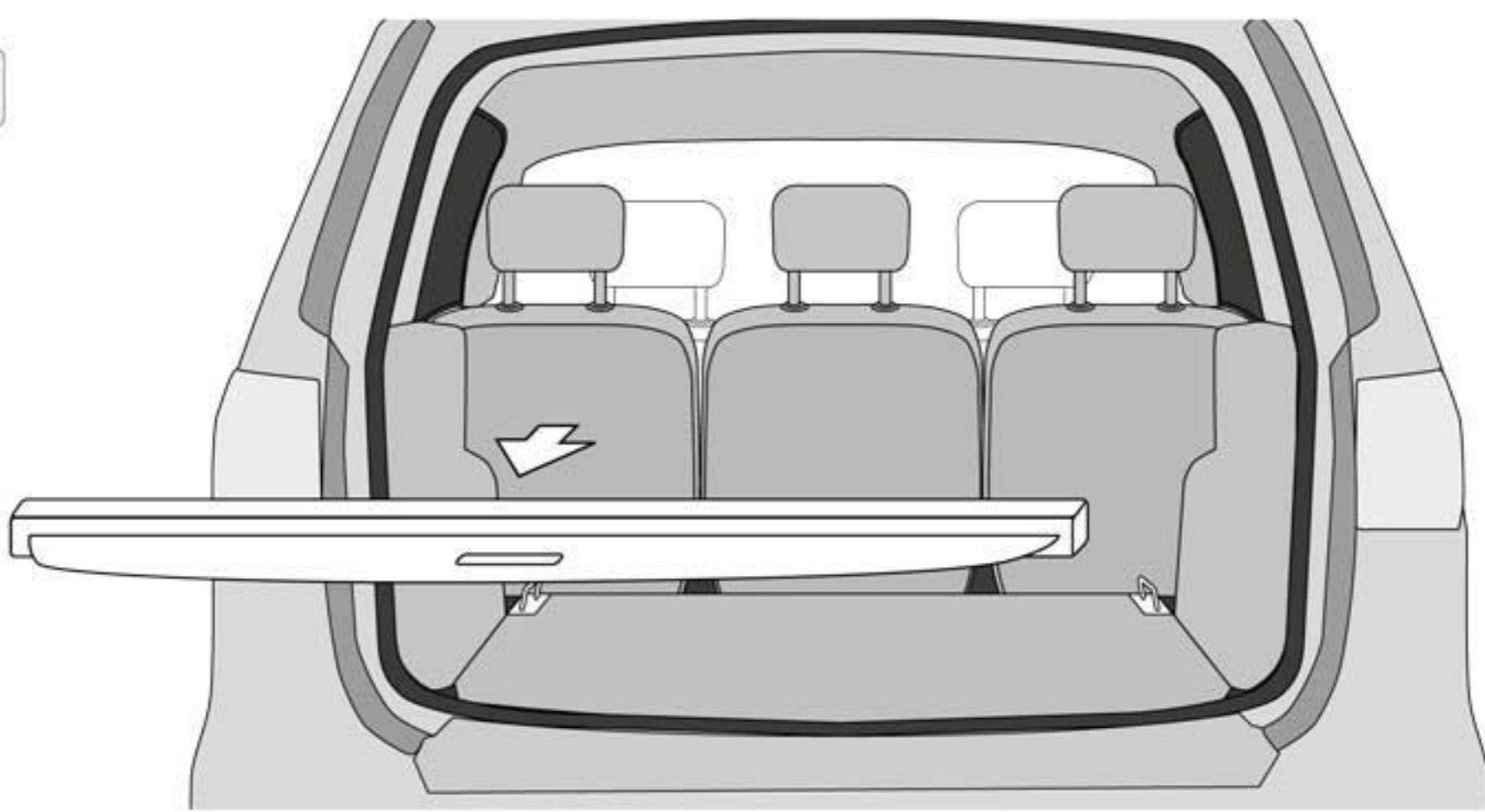
STEP
9



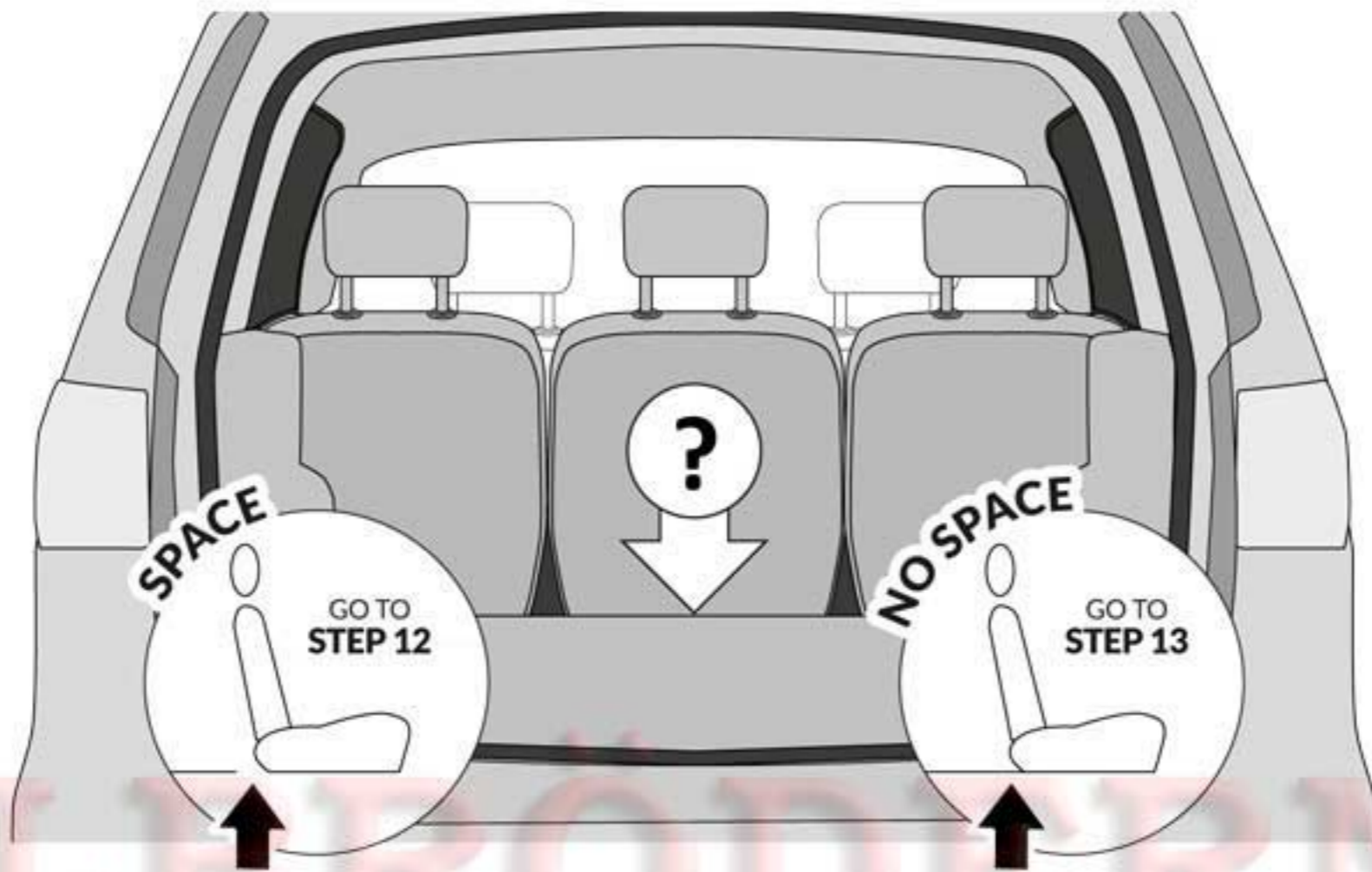
M-SM6X14AI
4X

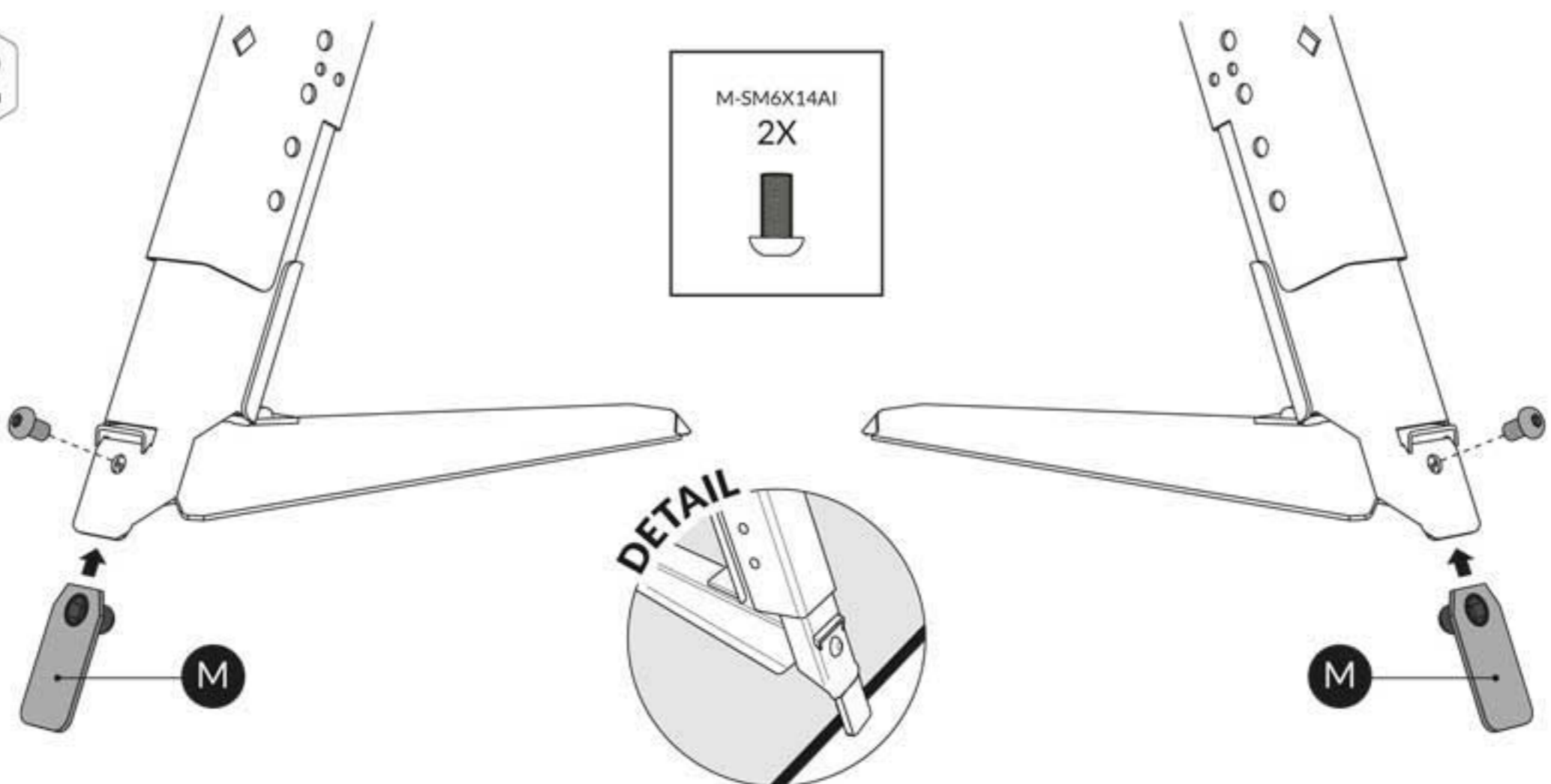
STEP
10



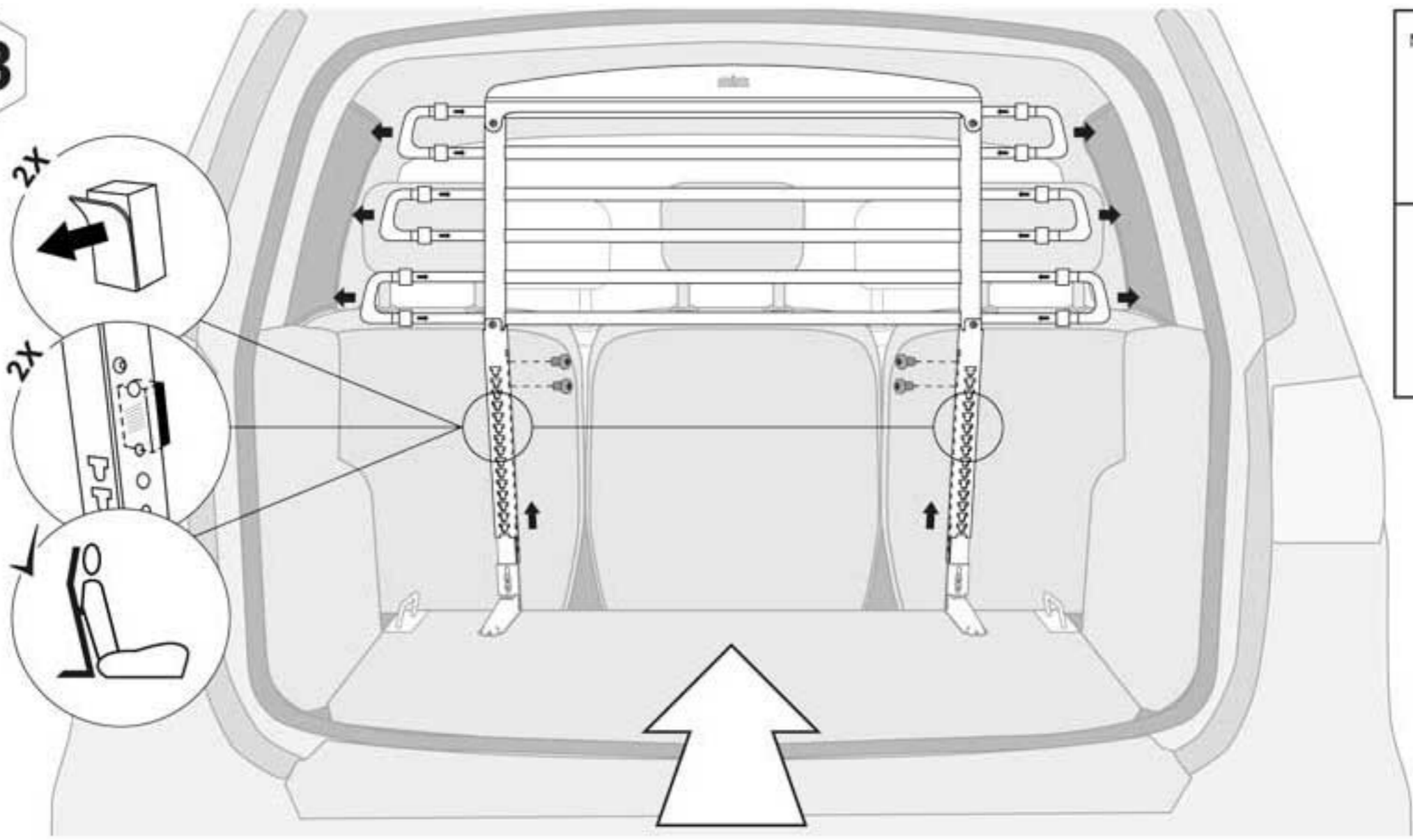
STEP
11



STEP
12

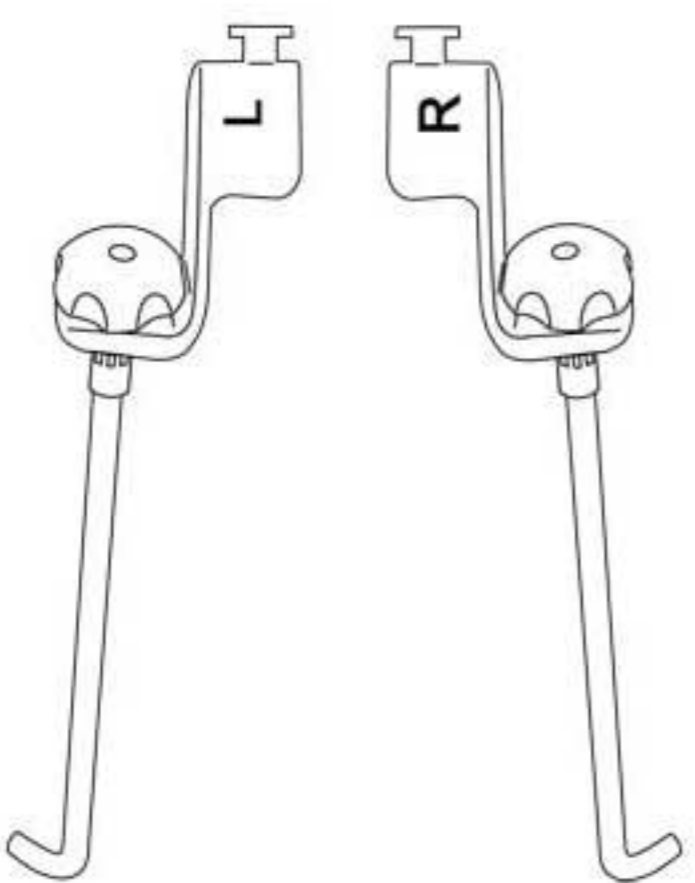


STEP
13

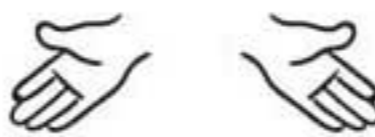


- M-SM6X14AI
4X
- M-10683
2X

STEP
14

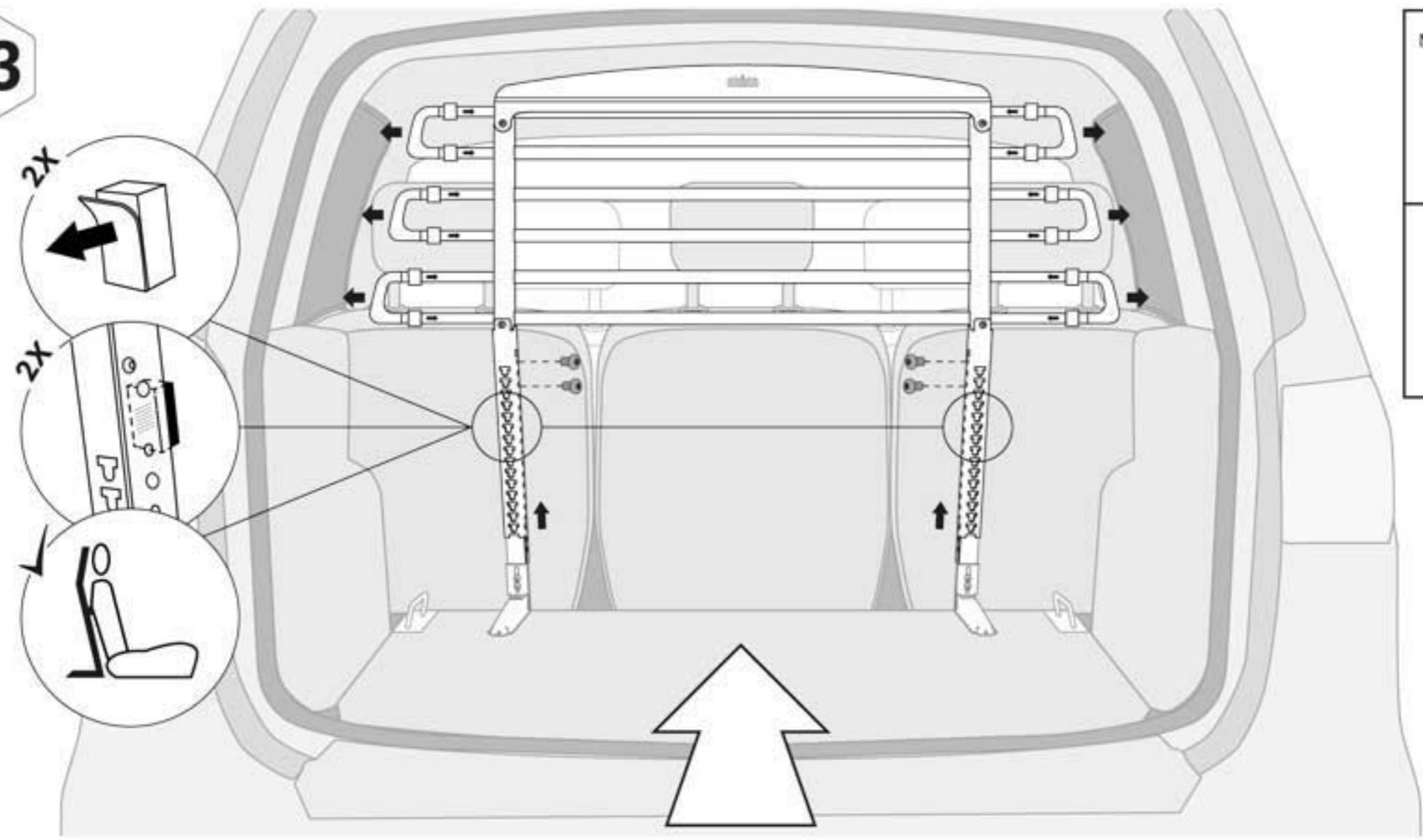


NO TOOLS IN THIS STEP
USE HANDS ONLY



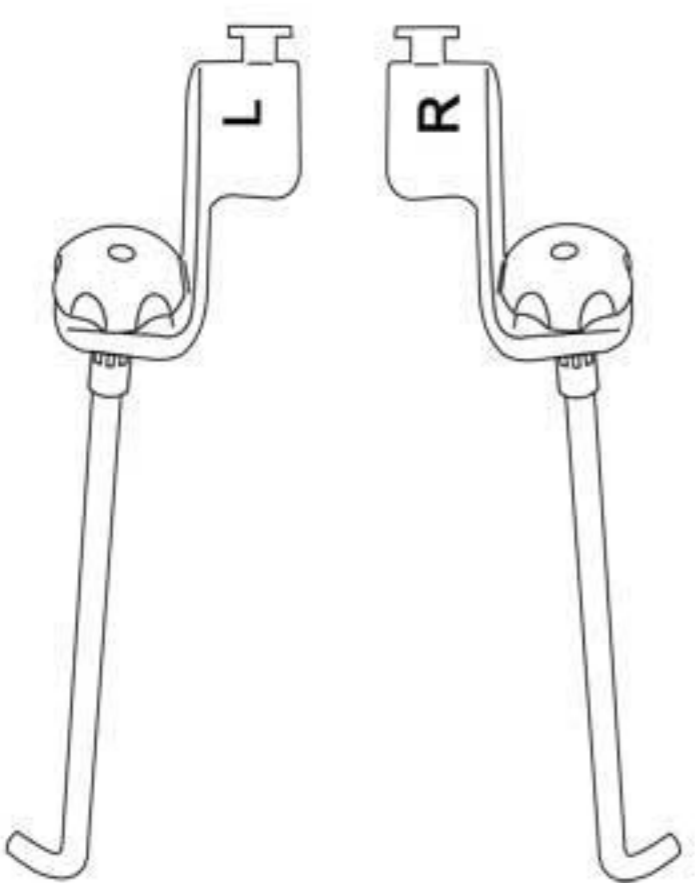
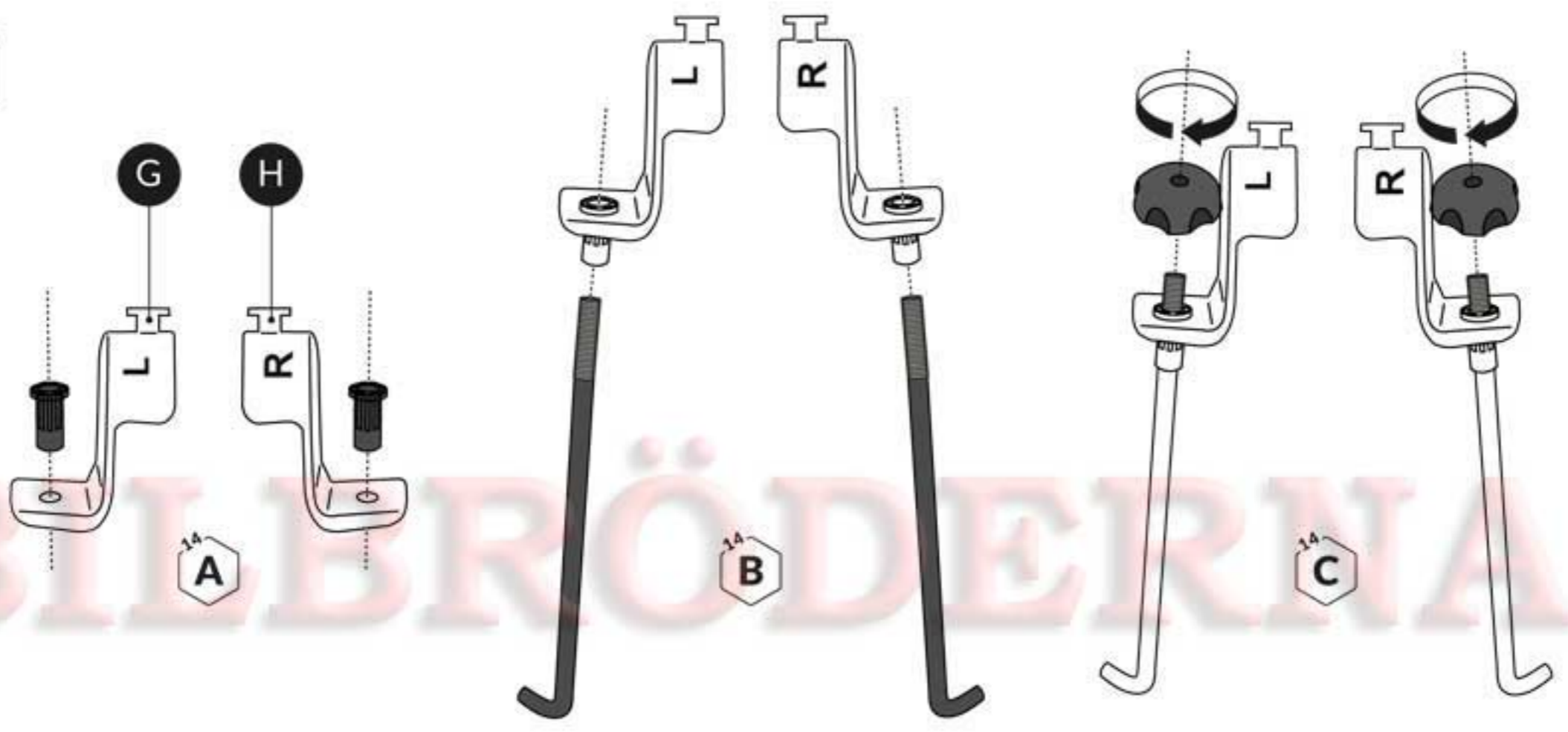
- | | |
|---------------------|-------------------------|
| M-460641K
2X
 | M-M37202_2014
2X
 |
| M-460641I
2X
 | |

STEP
13



- M-SM6X14AI
4X
- M-10683
2X

STEP
14



**NO TOOLS IN THIS STEP
USE HANDS ONLY**



- | | |
|-----------------|---------------------|
| M-460641K
2X | M-M37202_2014
2X |
| | |
| M-460641I
2X | |
| | |

STEP
15



STEP
16



USE HANDS ONLY
TIGHTEN THE WHEELS AGAIN
FEEL THE WHEEL SNAPPING



VarioBarrier must
ALWAYS BE PLACED
against the back seat



WARNING

VarioBarrier is
NOT SUITABLE FOR
outdoor use



Wipe with a
DAMP CLOTH
with soap

