

**D** F514L Part no 1x



**E** F514R Part no 1x



**F** F522 Part no 2x



**G** F526L Part no 1x



**H** F526R Part no 1x



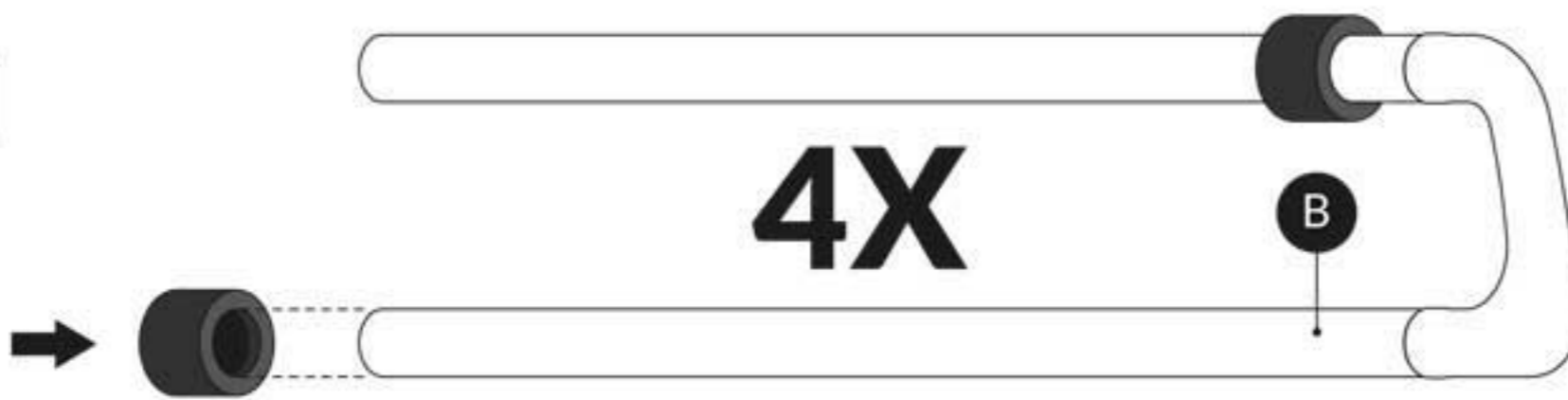
**I** F510L Part no 1x



**J** F510R Part no 1x

<p>F529 2X</p> <p><b>K</b></p>	<p>F527 2X</p> <p><b>L</b></p>	<p>F528 2X</p> <p><b>M</b></p>	<p>M-460641AY 8X</p> <p>rubber end caps</p>	<p>M-460641AL 8X</p> <p>plastic end caps</p>	<p>M-M37202_2014 2X</p>
<p>M-SM6X14AI 18X</p>	<p>ALLEN KEY 4 1X</p>	<p>M-10683 2X</p>	<p>M-460641K 2X</p>	<p>M-460641I 2X</p>	

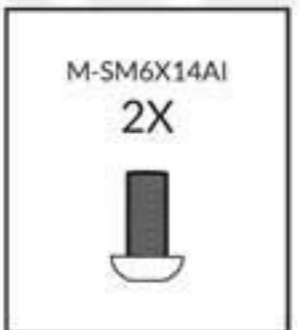
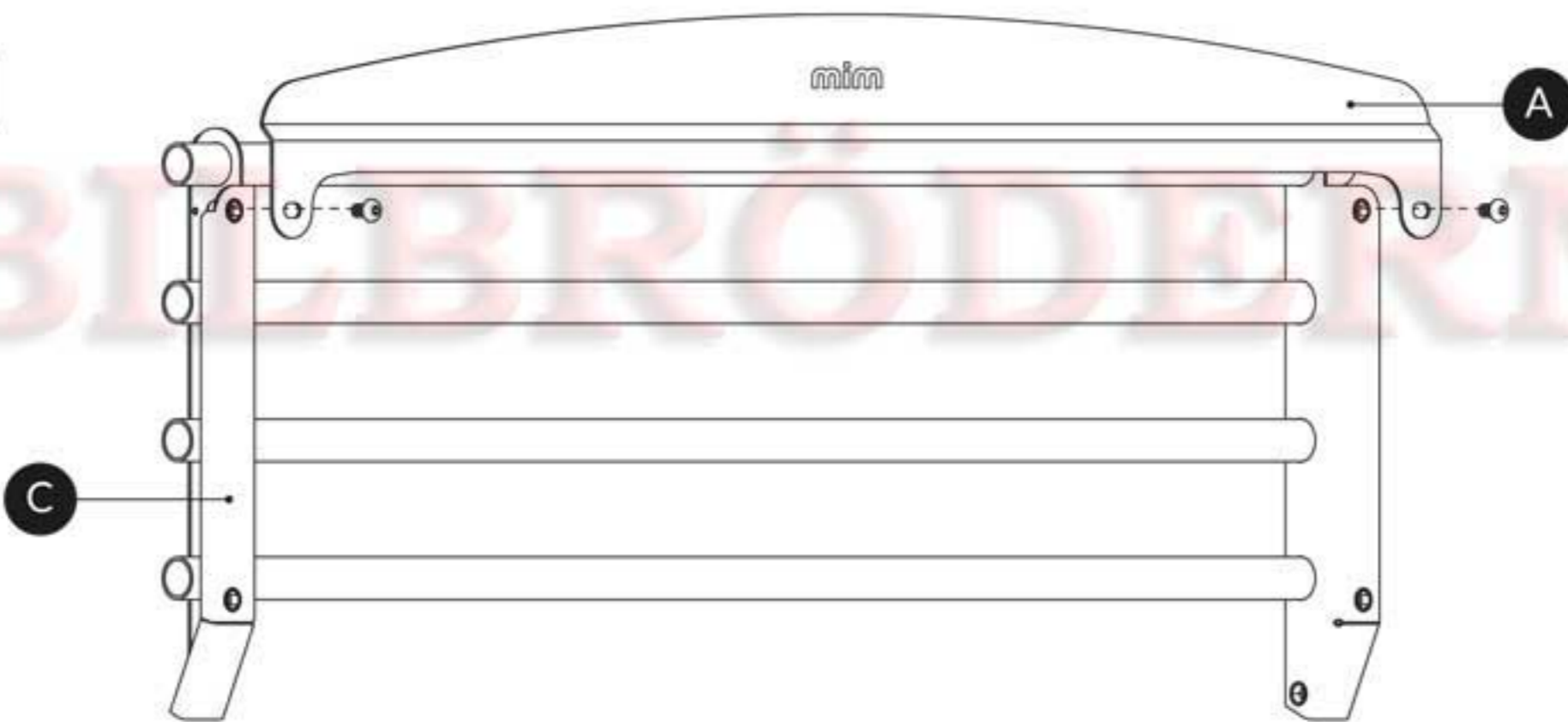
STEP  
**1**



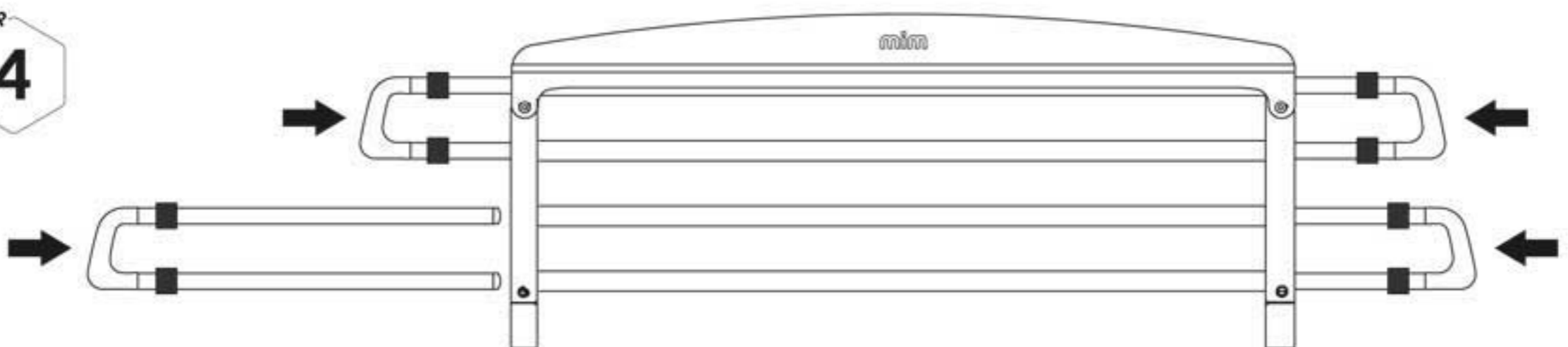
STEP  
**2**



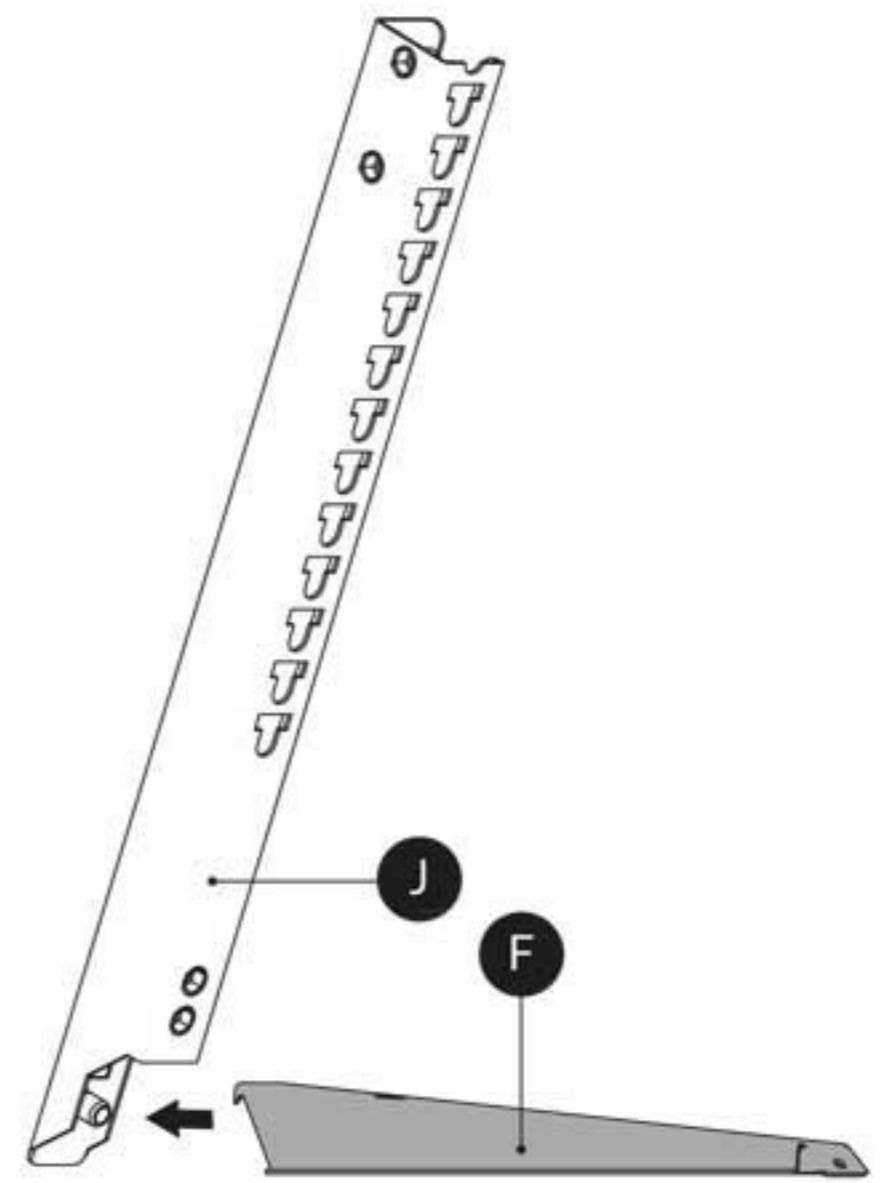
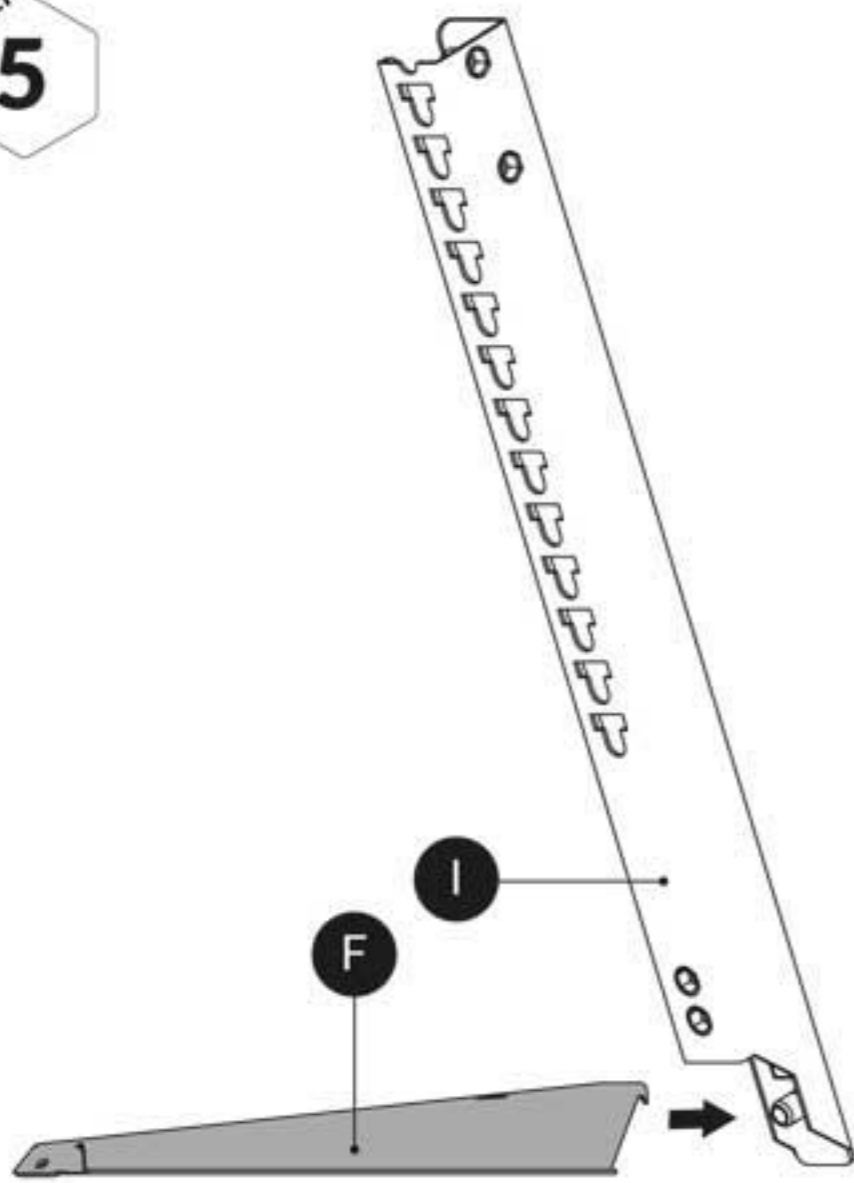
STEP  
**3**



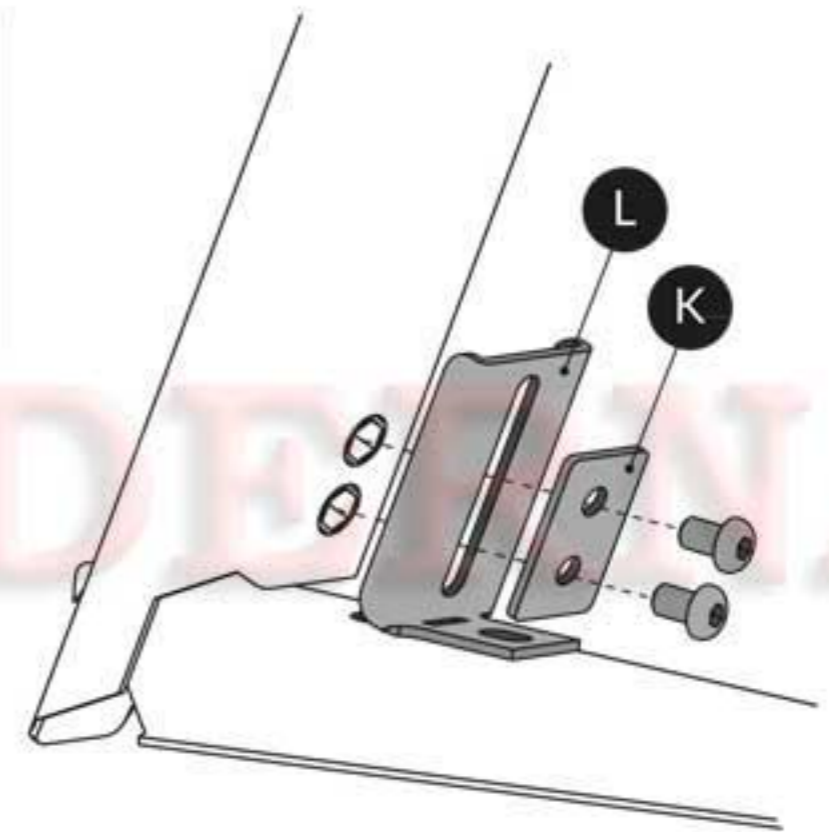
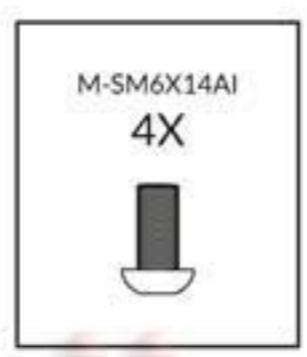
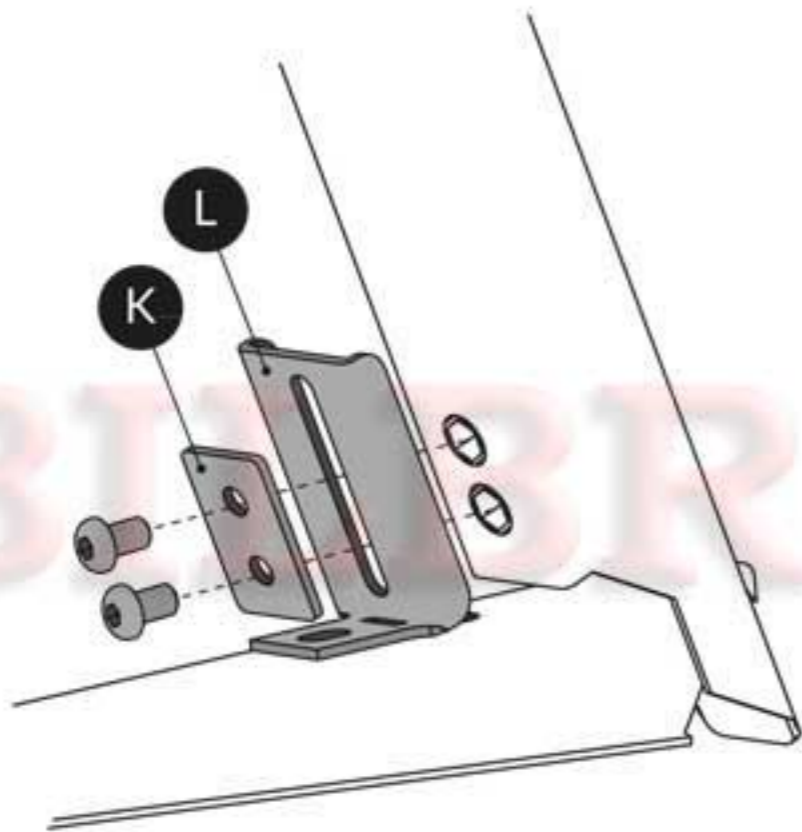
STEP  
**4**



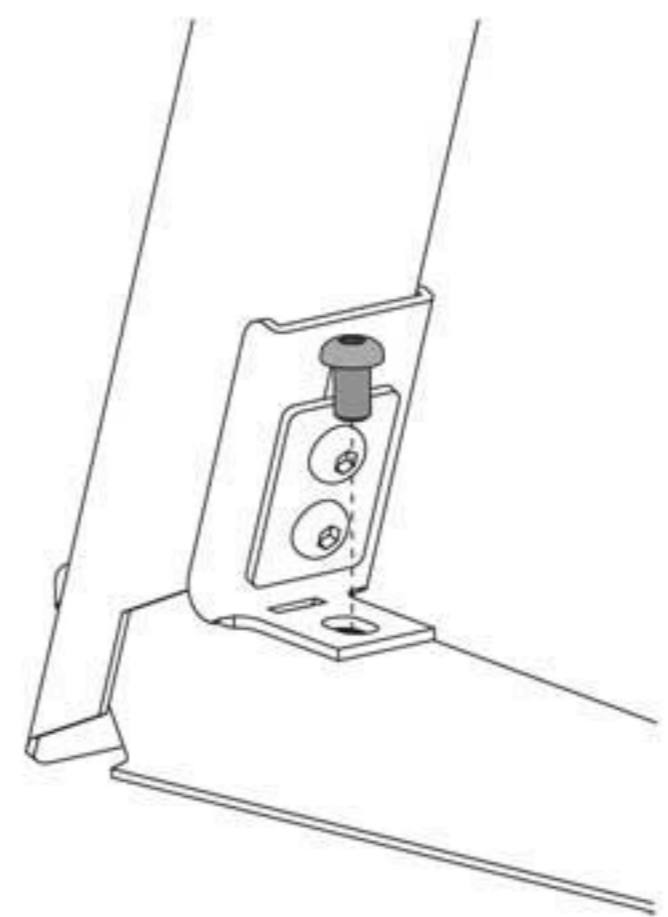
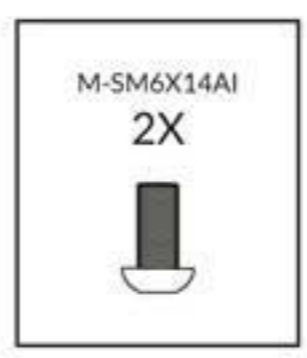
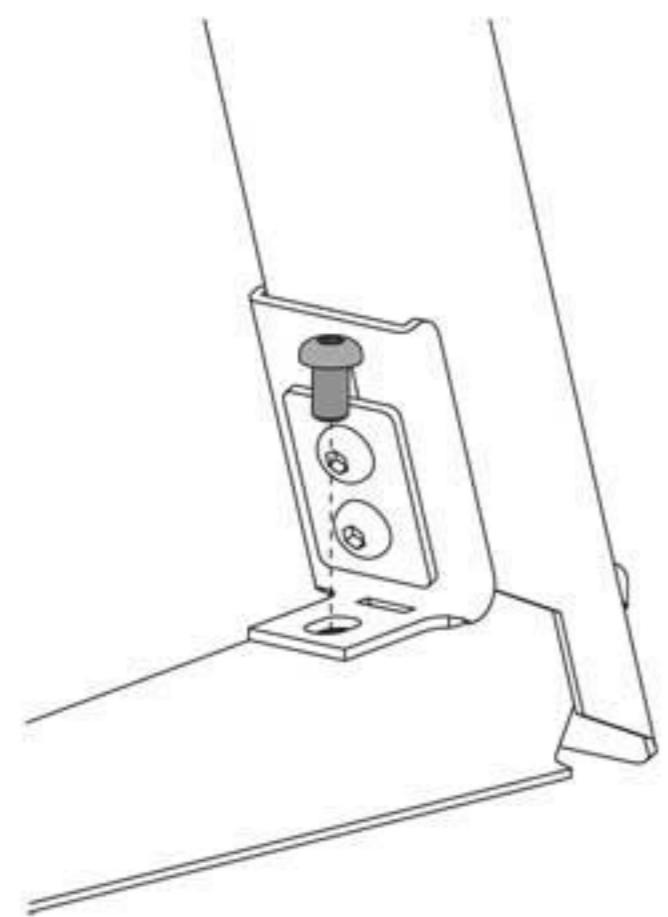
STEP  
**5**



STEP  
**6**

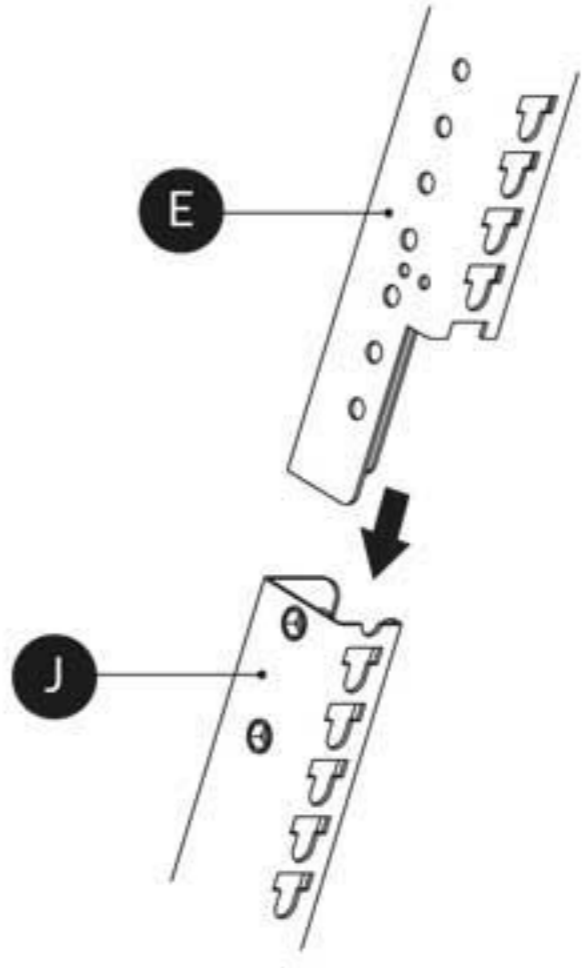
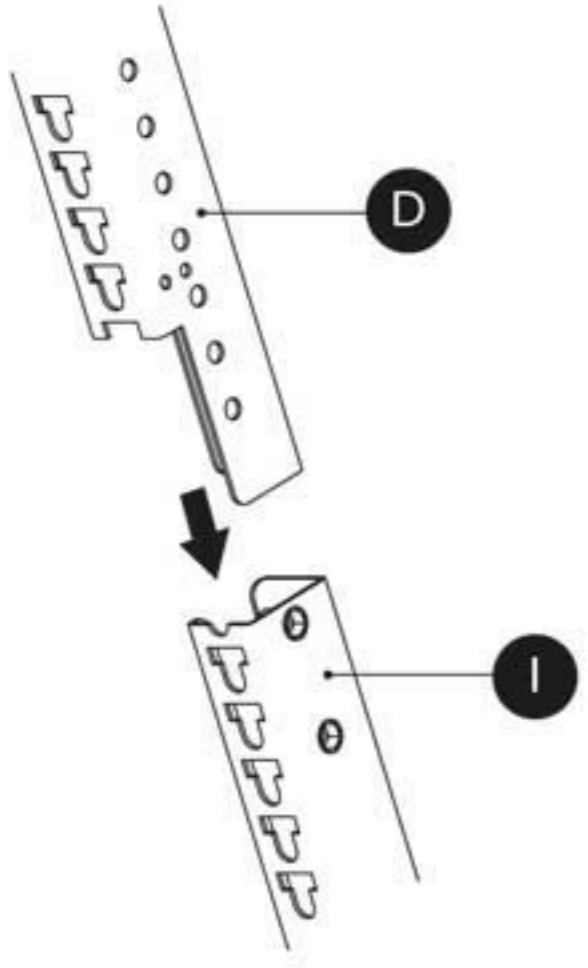


STEP  
**7**

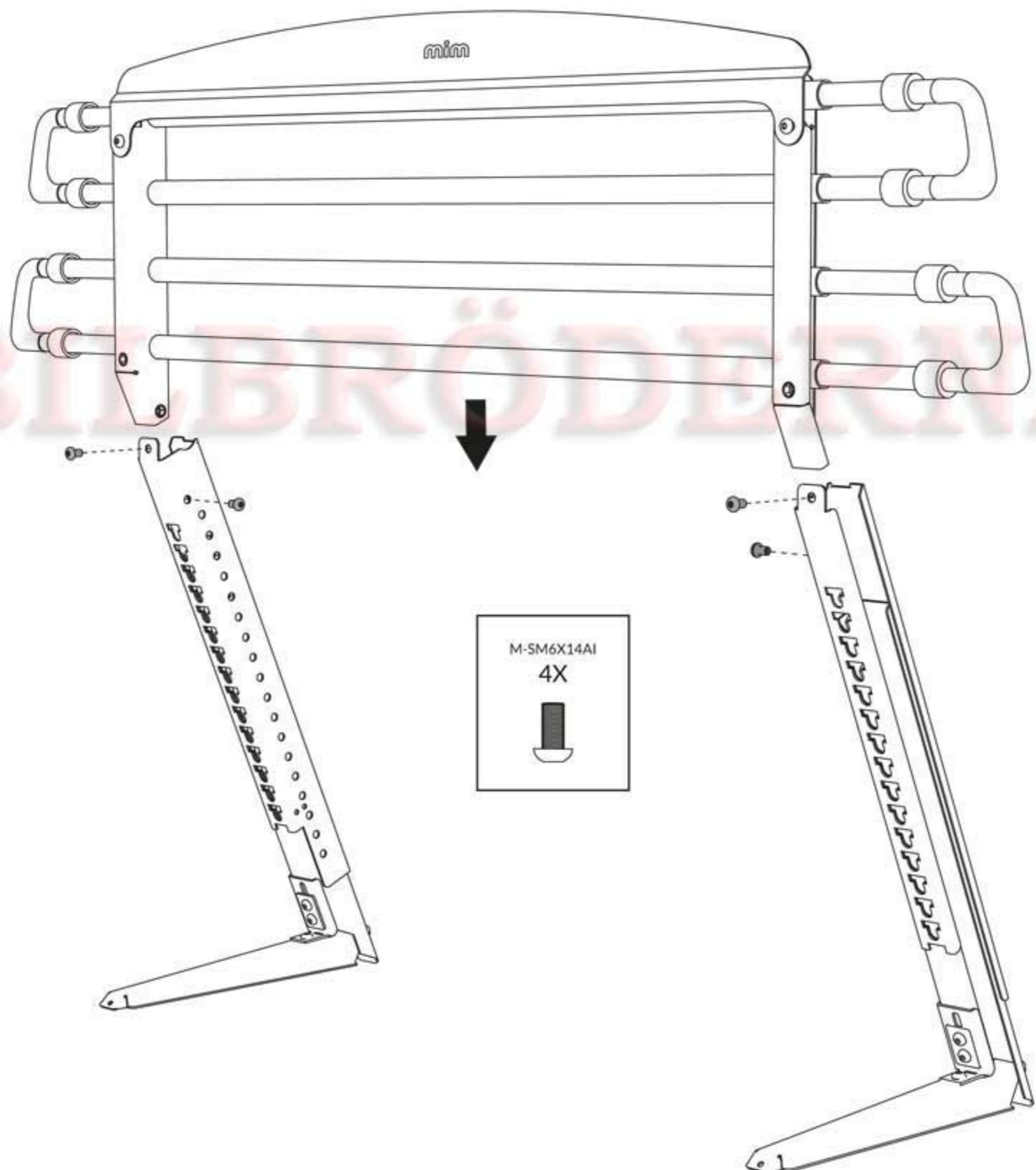




STEP  
**8**

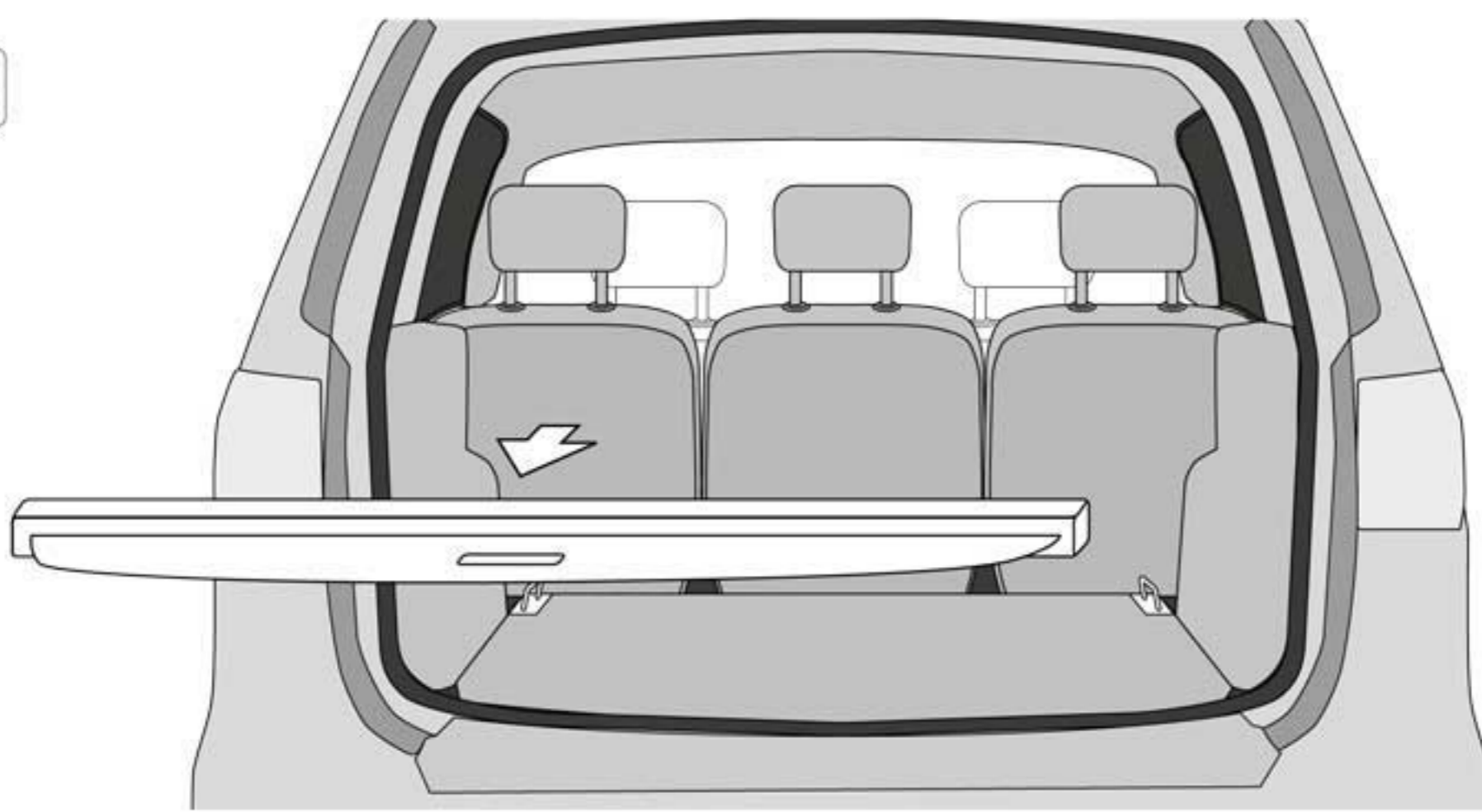


STEP  
**9**

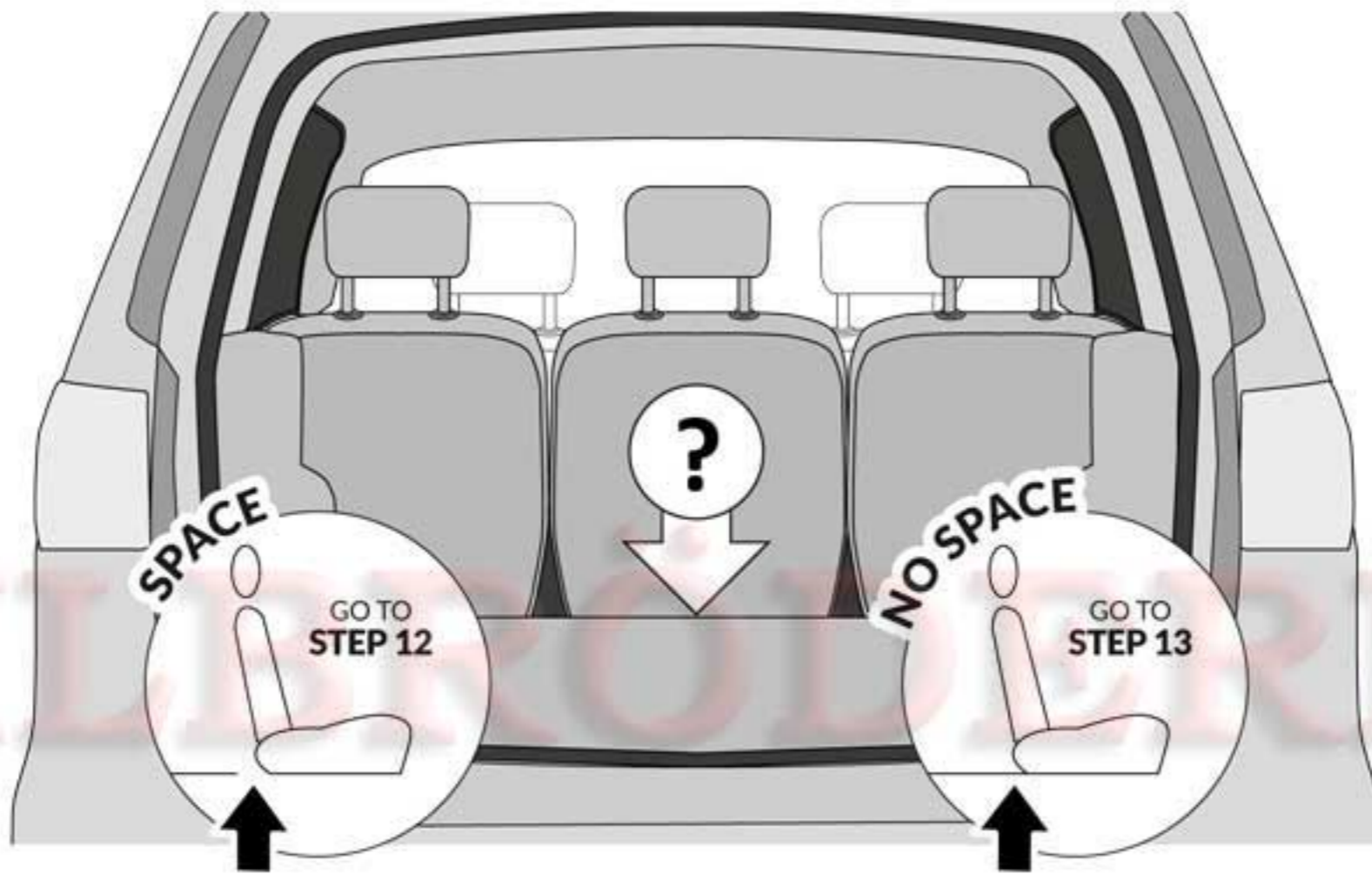


BILBRÖDERNA

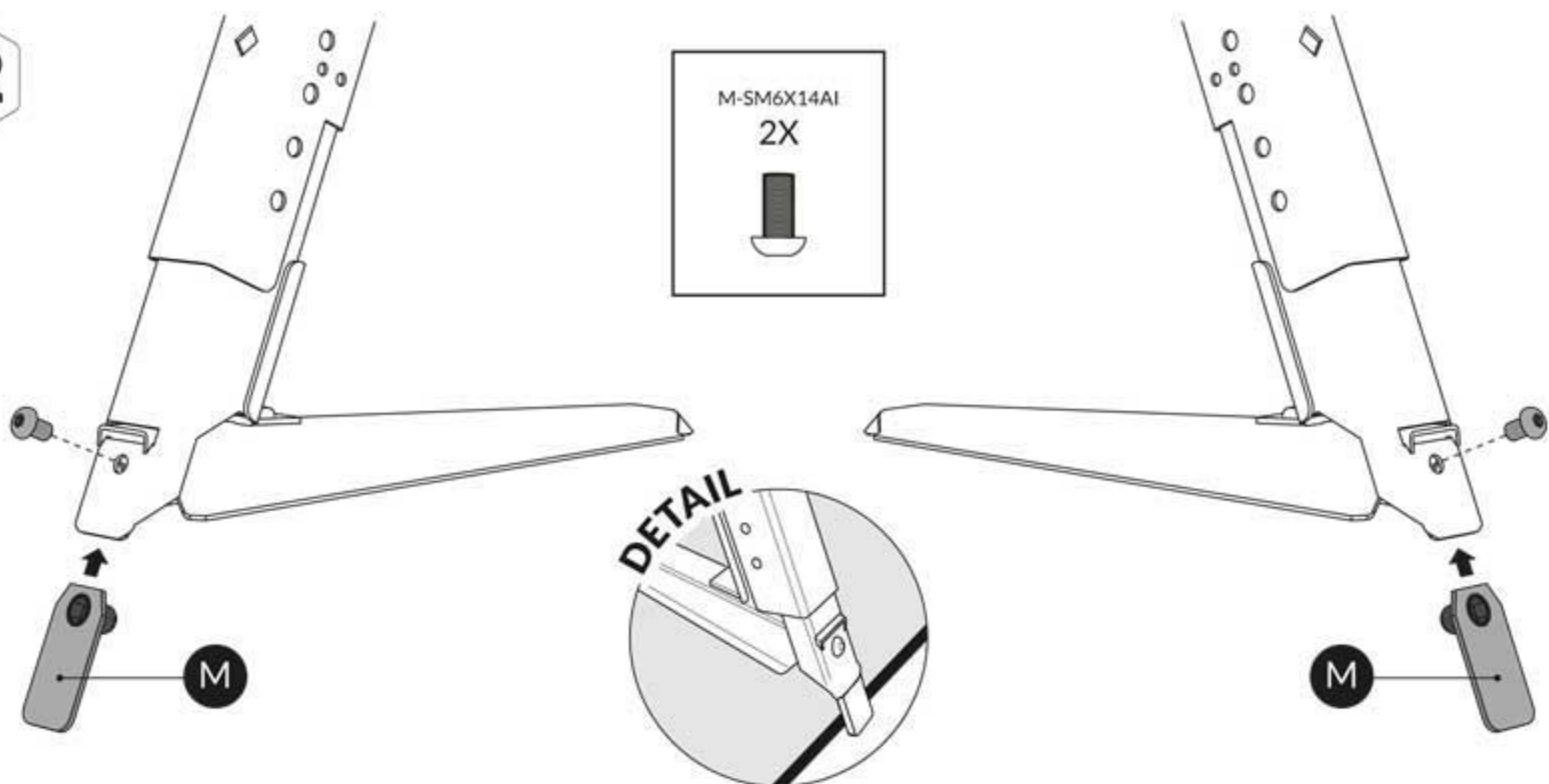
STEP  
**10**



STEP  
**11**

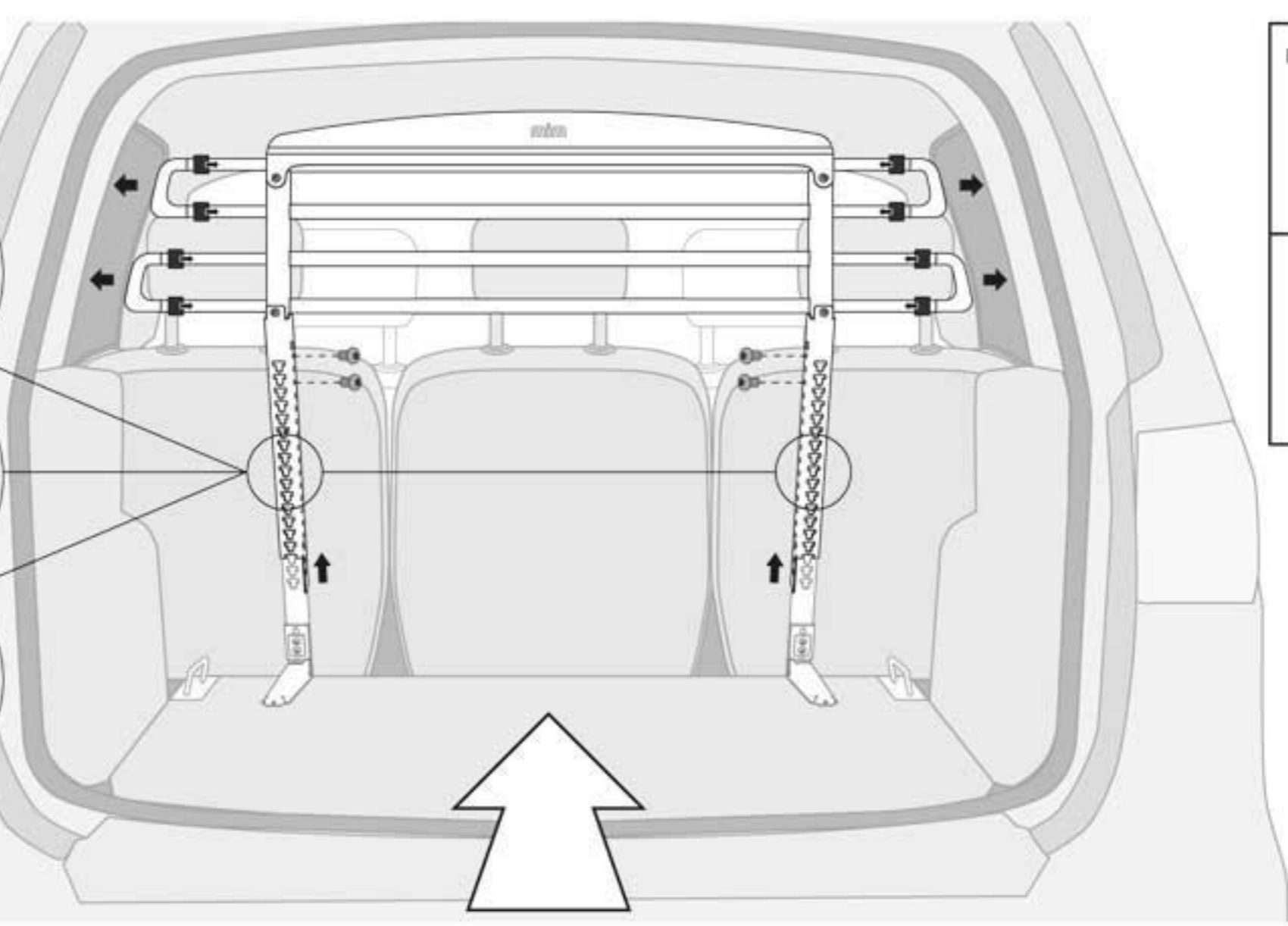


STEP  
**12**



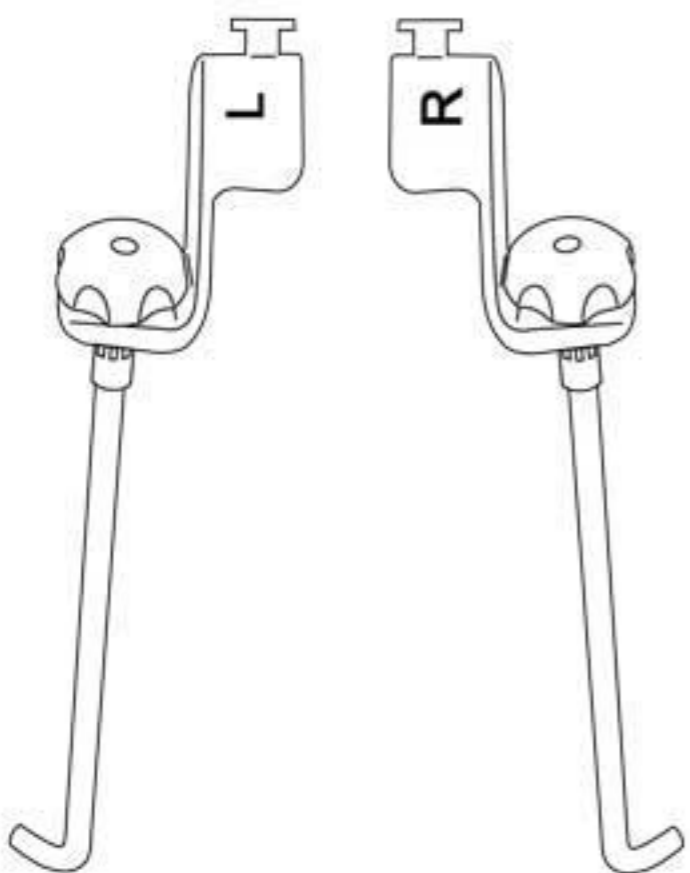
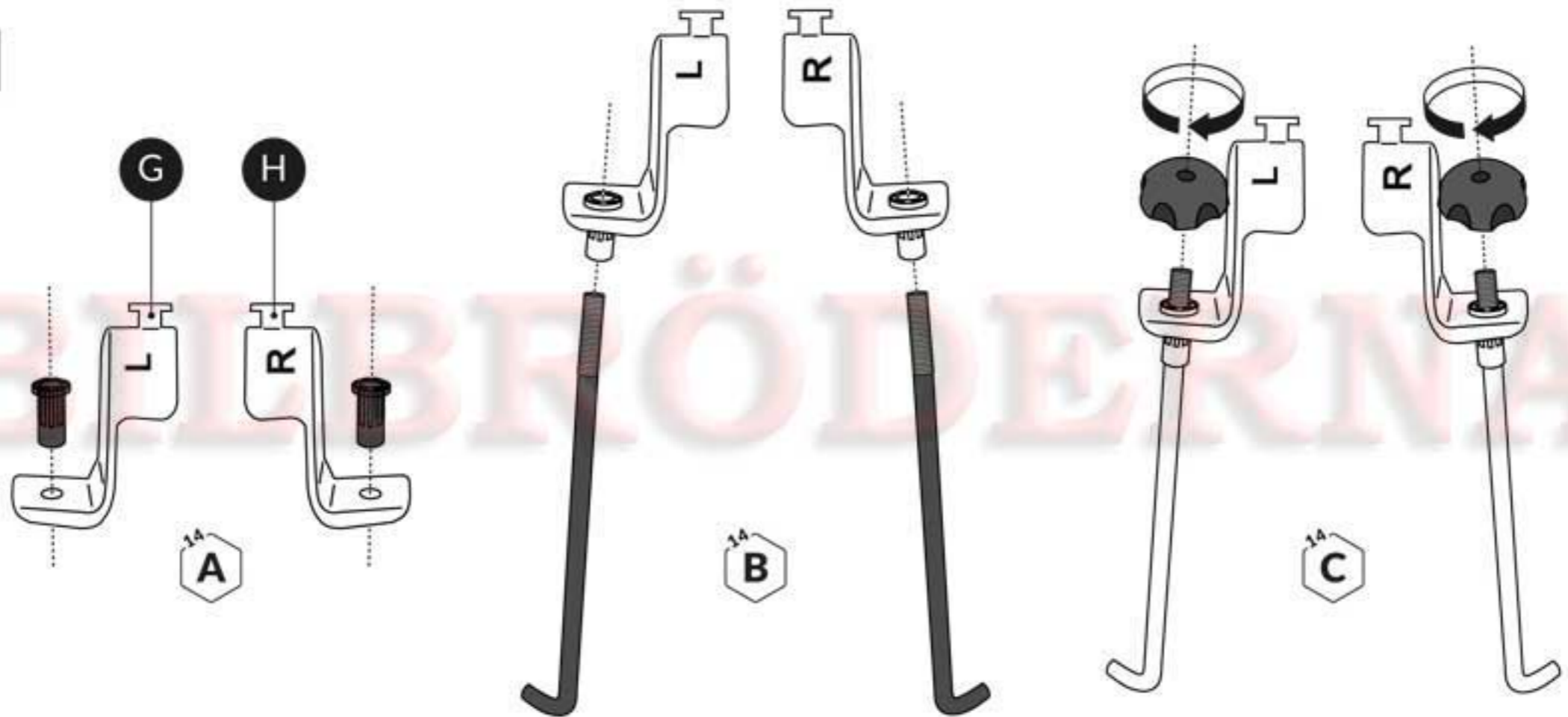


STEP  
**13**

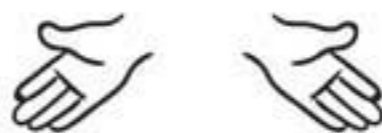


M-SM6X14AI 4X
M-10683 2X

STEP  
**14**



NO TOOLS IN THIS STEP  
USE HANDS ONLY

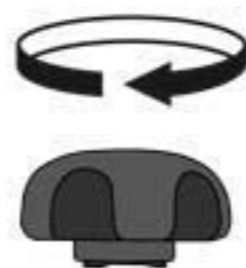


M-460641K 2X	M-M37202_2014 2X
M-460641I 2X	

STEP  
**15**



STEP  
**16**



USE HANDS ONLY  
**TIGHTEN THE WHEELS AGAIN**  
FEEL THE WHEEL SNAPPING



VarioBarrier must  
**ALWAYS BE PLACED**  
against the back seat



**WARNING**

VarioBarrier is  
**NOT SUITABLE FOR**  
outdoor use



Wipe with a  
**DAMP CLOTH**  
with soap

