

TRIPLE-R

CORROSION RESISTANCE

enhanced by E-Coat pre-treatment

THERMAL CONDUCTIVITY

maximised through CAE optimised heatsink constructed from anodised aluminium

'SPOT' BEAM PATTERN

provides superior long-range visibility, and left / right spread (Elite)

VACUUM-METALLISED OPTICS

deliver unparalleled reflectivity for maximised light output

OPTIONAL POSITION LIGHT FUNCTION

included across Standard products. White (Reg 7 approved) and Amber colours.

ROAD-LEGAL CERTIFICATION

allows for electrical connection direct to the vehicle's high beam (and side light) signals.

UNBREAKABLE POLYCARBONATE LENS

with lifetime guarantee

DYNAMIC DRIVE MODULATION

maintains optimal light output considering the environmental and thermal conditions of the lamp

HIGH INTENSITY 'PREMIUM BIN' LEDs

maximise illumination levels considering power input

VERSATILE MOUNTING SYSTEM

fully robust and able to position above or below lamp

HARDCOAT LACQUER

protects against scratches or deterioration of lens condition

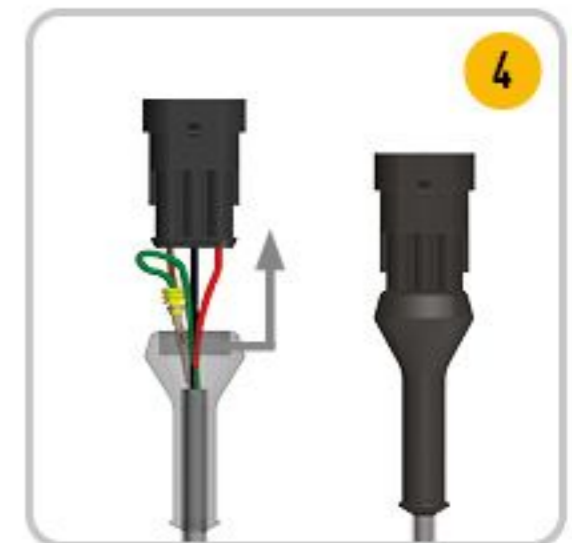
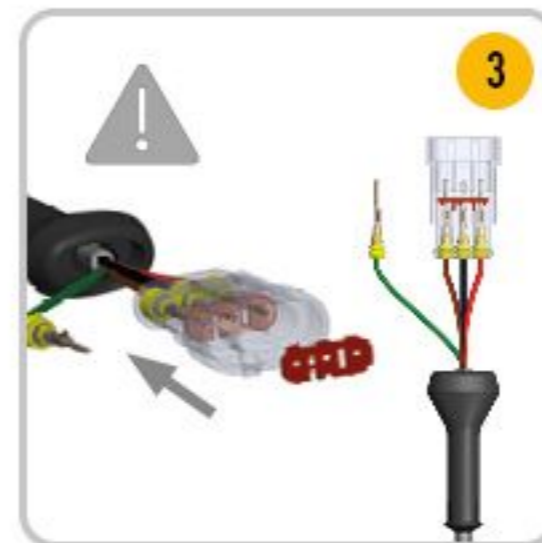
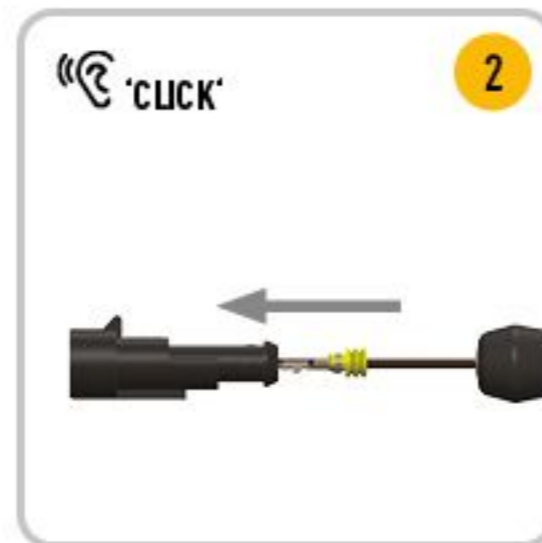
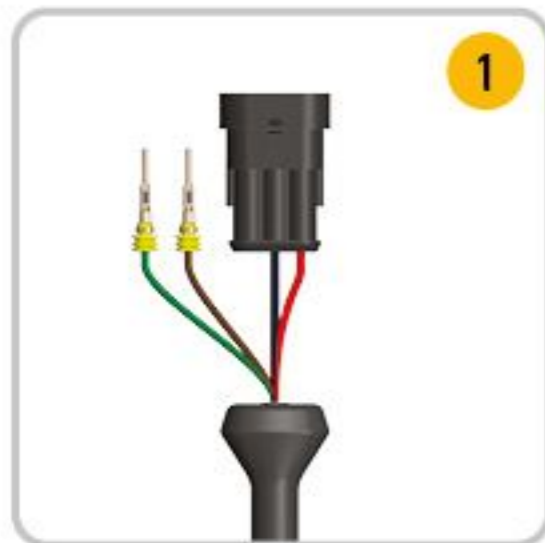
SIDE BRACKET MOUNTING

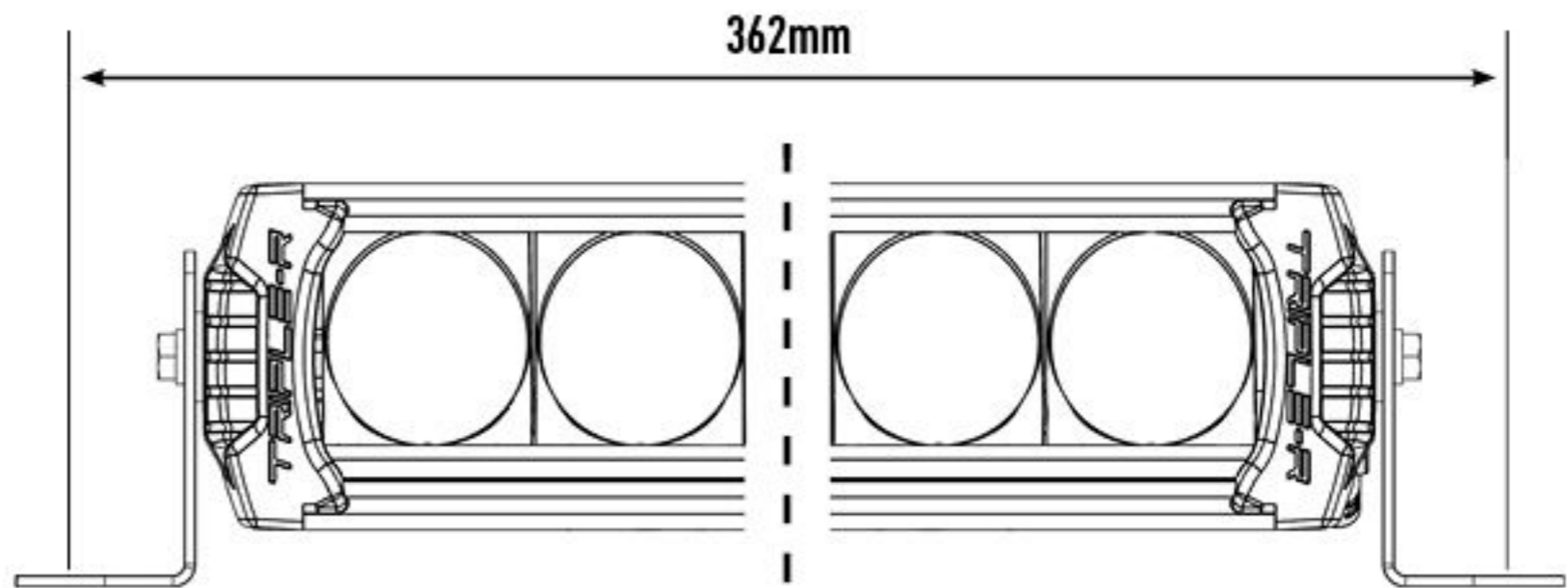
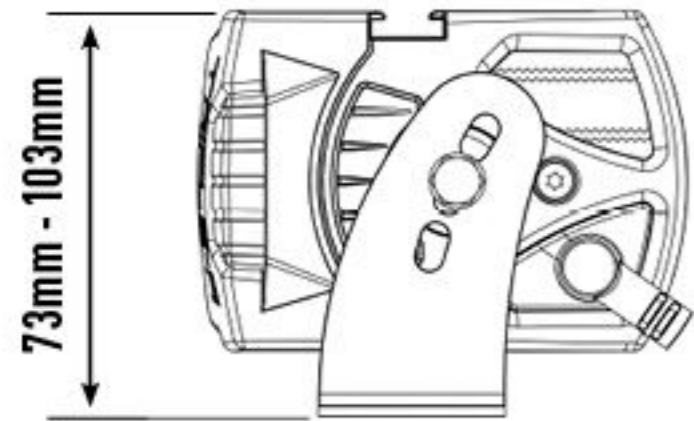
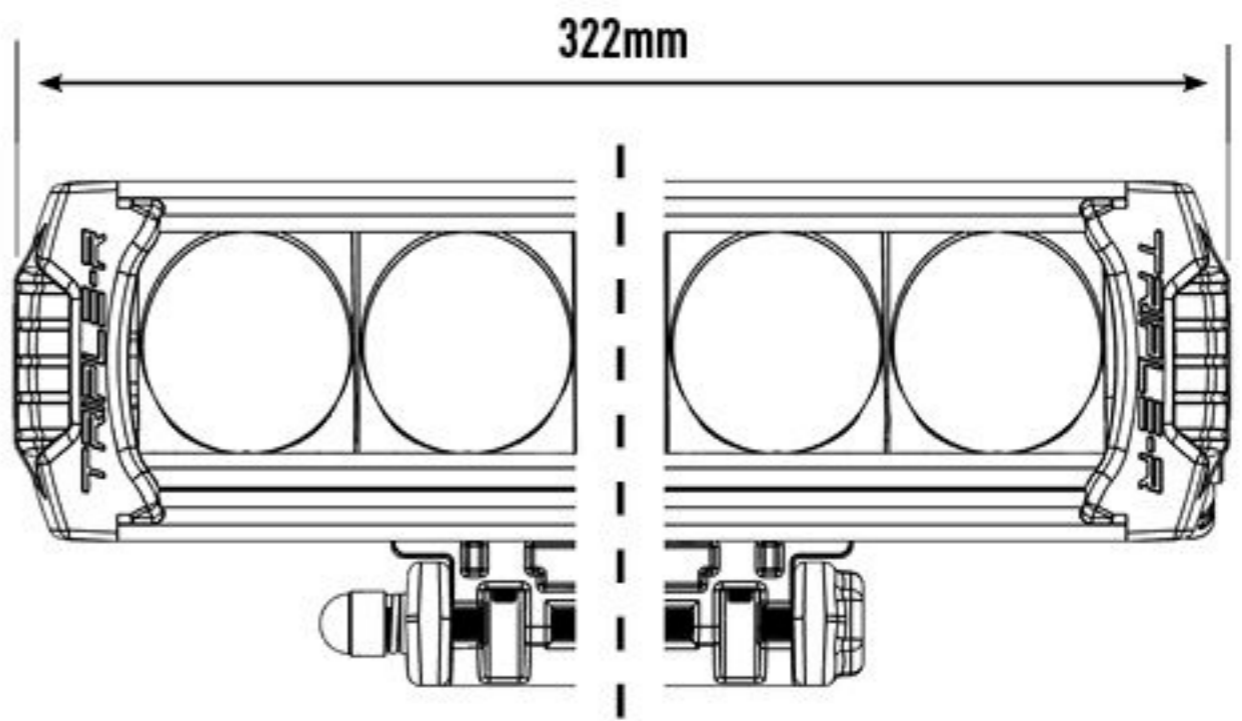
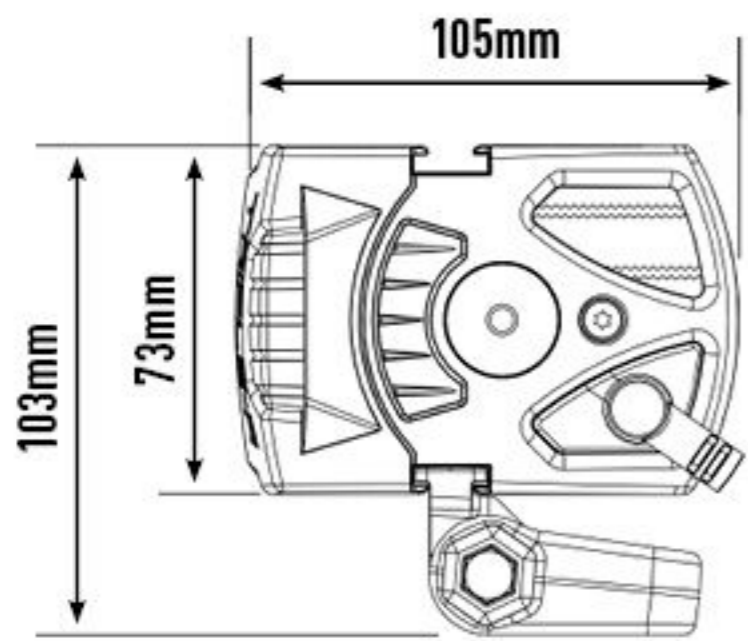
facilitated with concealed threaded point



TRIPLE-R

POSITION LIGHT CONNECTOR INSTRUCTIONS







100m
200m



