

BILBRÖDERNA



50 lux line represents HSE guidelines for working outside at night while undertaking general tasks, such as labouring or moving goods.



HIGH DENSITY LEDS

Light output is maximised through use of the latest, most advanced and efficient LED technology available.



OVER VOLTAGE PROTECTION

In-built into the electronic circuitry to prevent damage, alongside protection against reverse polarity.

5,000 KELVIN COLOUR TEMPERATURE FOR MAXIMUM DEFINITION

While reducing fatigue and eye strain that can come from using higher colour ranges.

MALE & FEMALE DEUTSCH CONNECTORS INCLUDED

Part no. DT06-2S / DT04-2P.

EMC PROTECTION

Approved to CISPR-25 Class 5 (12V only unless specified) ensures no interference with other electrical machinery or appliances.

VACUUM-METALLISED REFLECTOR TECHNOLOGY

Designed and engineered in the UK to deliver light further and wider, in a symmetrical flood beam pattern.



UTILITY-25

25W

3016 LUMENS

CAE OPTIMISED 'MATRIX' COOLING SYSTEM

Provides more efficient thermal management to maximise light output.

AUTOMOTIVE GRADE CORROSION RESISTANCE

E-coat pre-treatment prior to black powder coating ensures exceptional corrosion resistance including against harsh chemical treatments.

ELECTRONIC THERMAL MANAGEMENT

Optimises light output considering the environmental and thermal conditions of the lamp.

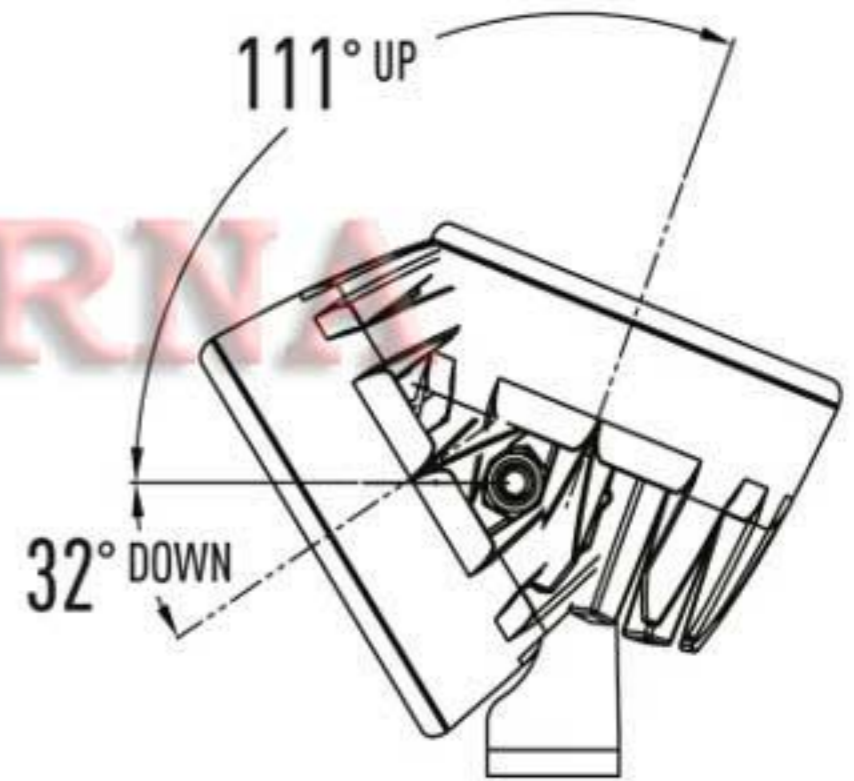
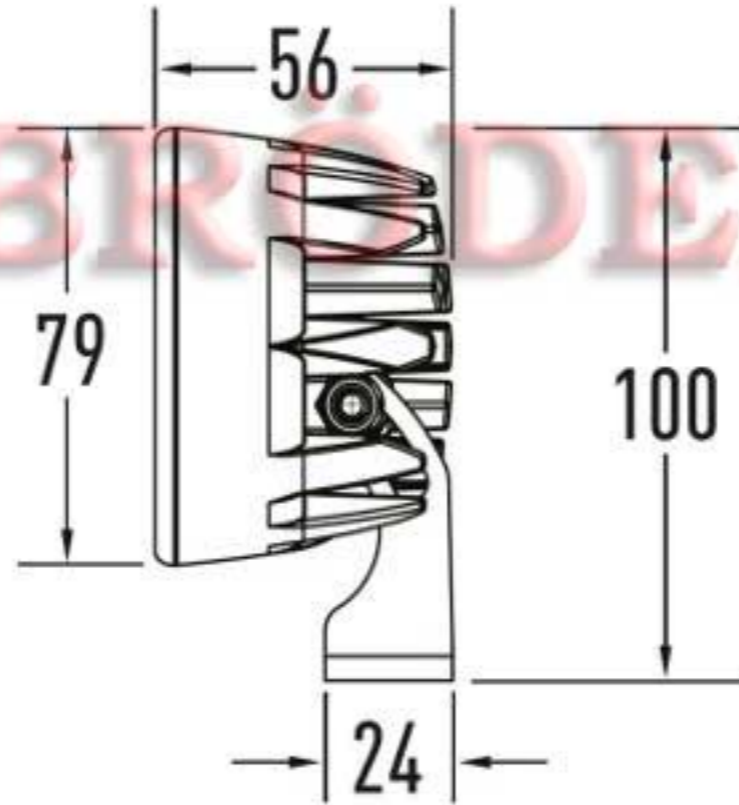
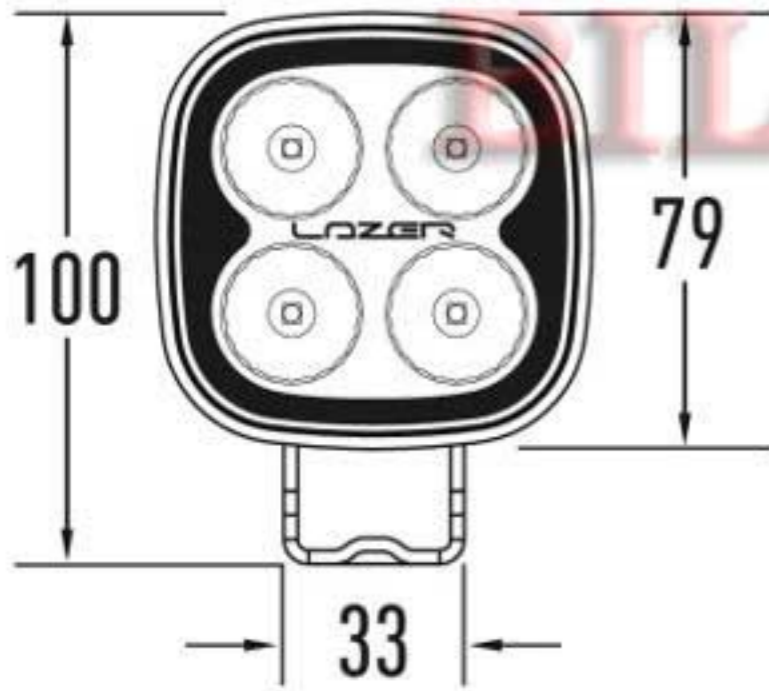
'UNBREAKABLE' POLYCARBONATE LENS

3mm lexan polycarbonate with hardcoat lacquer provides exceptional protection from impact and heat.

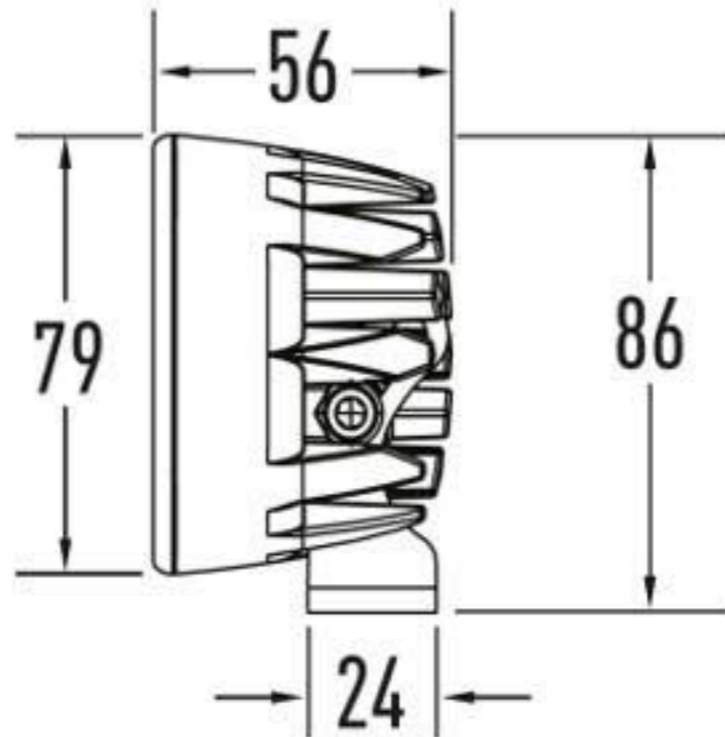
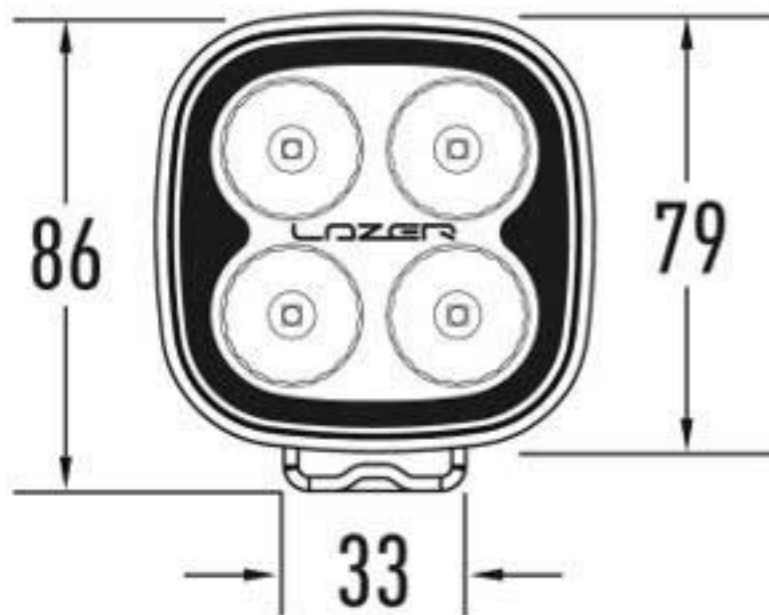
VERSATILE MOUNTING BRACKET

Fabricated from stainless steel with a satin black powder coat finish, allows complete flexibility in lamp orientation and positioning.

LAMP MOUNTED IN HIGHEST FORWARD POSITION

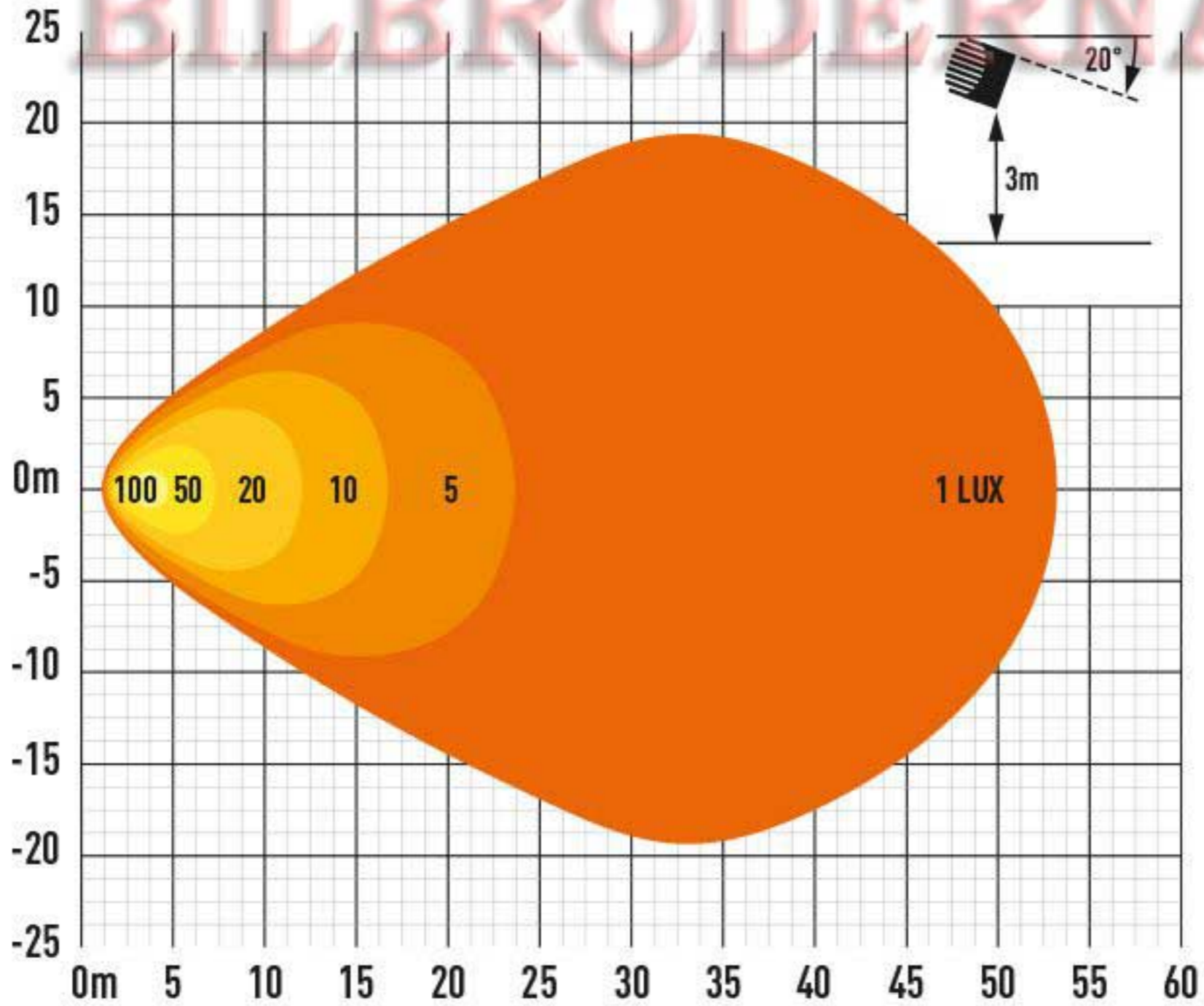


LAMP MOUNTED IN LOWEST REVERSE POSITION



MEASUREMENTS IN MM

UTILITY-25



50 lux line represents HSE guidelines for working outside at night while undertaking general tasks, such as labouring or moving goods.

BILBRÖDERNA



BILFRÖJDERNA





MITSUBISHI



68

62111