

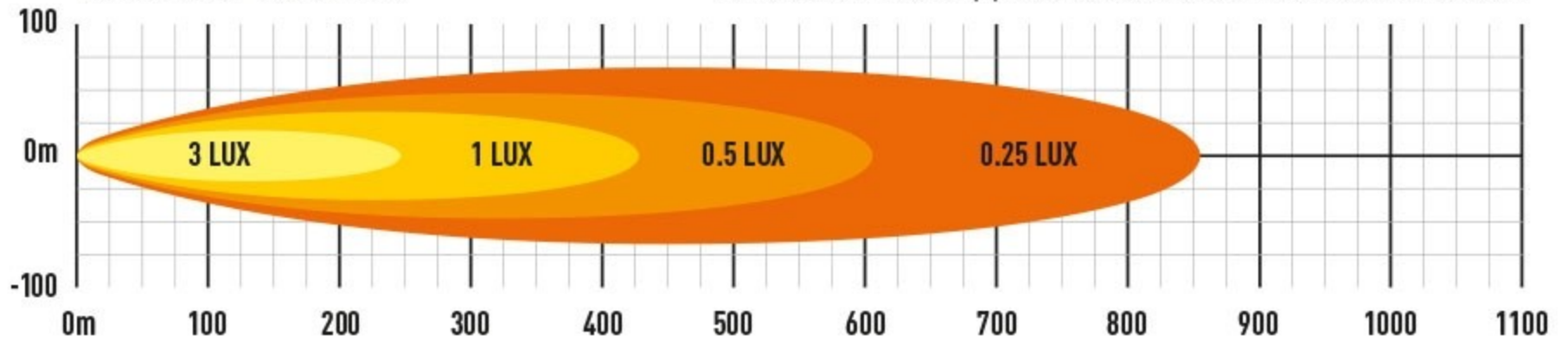


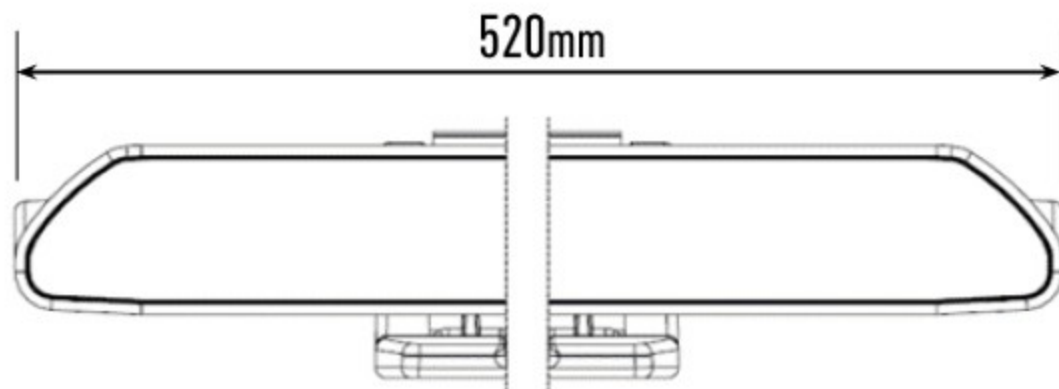
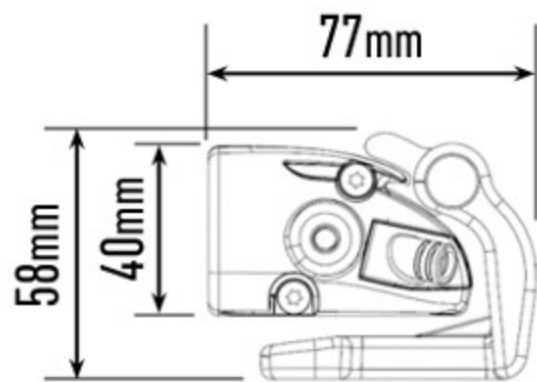
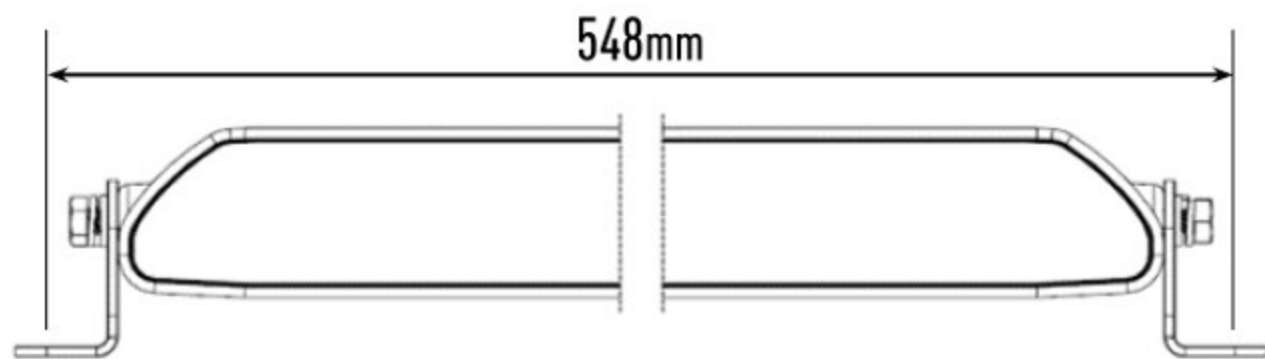
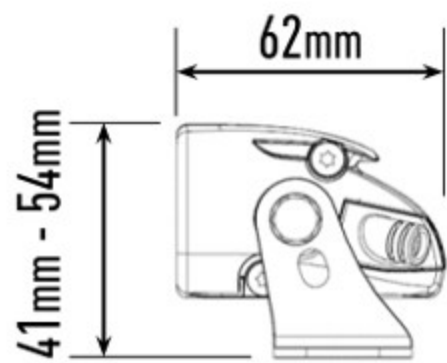




LINEAR-18 STD

Generated from BSI lamp photometric test data: on road measurement data





LINEAR

UNBREAKABLE POLYCARBONATE LENS

with lifetime guarantee.

VACUUM-METALLISED OPTICS

deliver an optimal balance of light intensity and left/right spread illumination.

CORROSION RESISTANCE

to automotive grade standards.

LOW PROFILE CROSS-SECTION

facilitates fitting into compact spaces.

VARIOUS INSTALL OPTIONS

available including stainless steel side, and centre mounting brackets.

E-MARK CERTIFICATION

across the entire Linear product range.

AERODYNAMIC DESIGN

reduces the wind noise affecting other installations.

ADVANCED 3W LEDs

as used in Lazer Lamps 2018/9 WRC lighting solutions.

DYNAMIC DRIVE MODULATION

is maintained at the optimal level considering environmental and thermal conditions of the lamp.

ANTI-THEFT MOUNTING BRACKETS

and fasteners available (included across Elite range).

