



E

E9 12.5 01HR PL 22479

LAZER

LINEAR

E





E9 12.5 01HR PL 22479

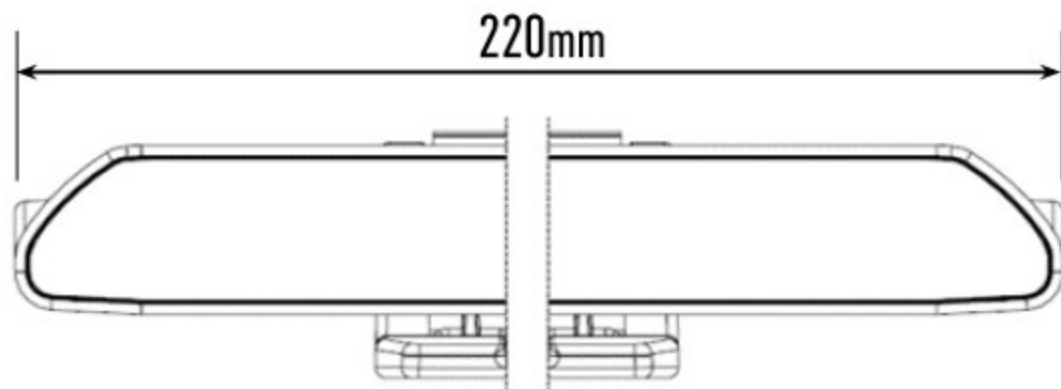
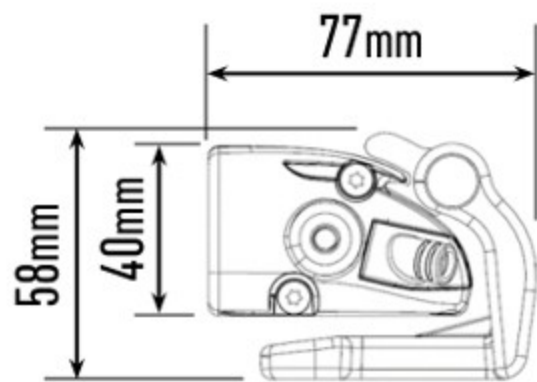
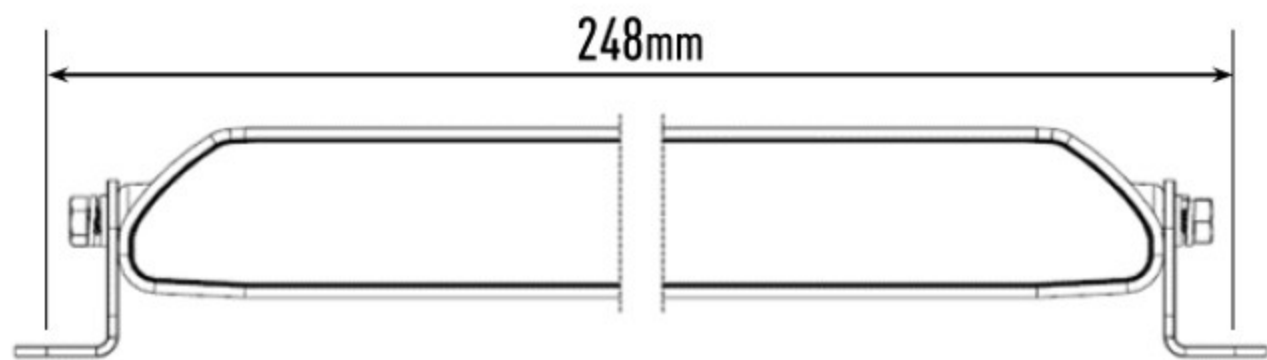
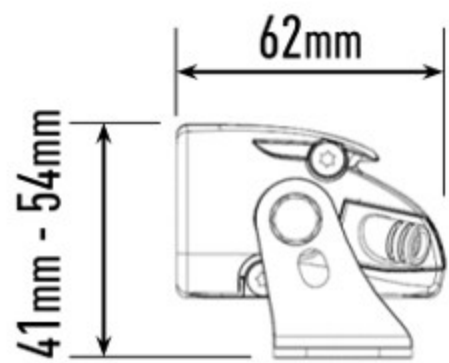
LAZER

LINEAR

G

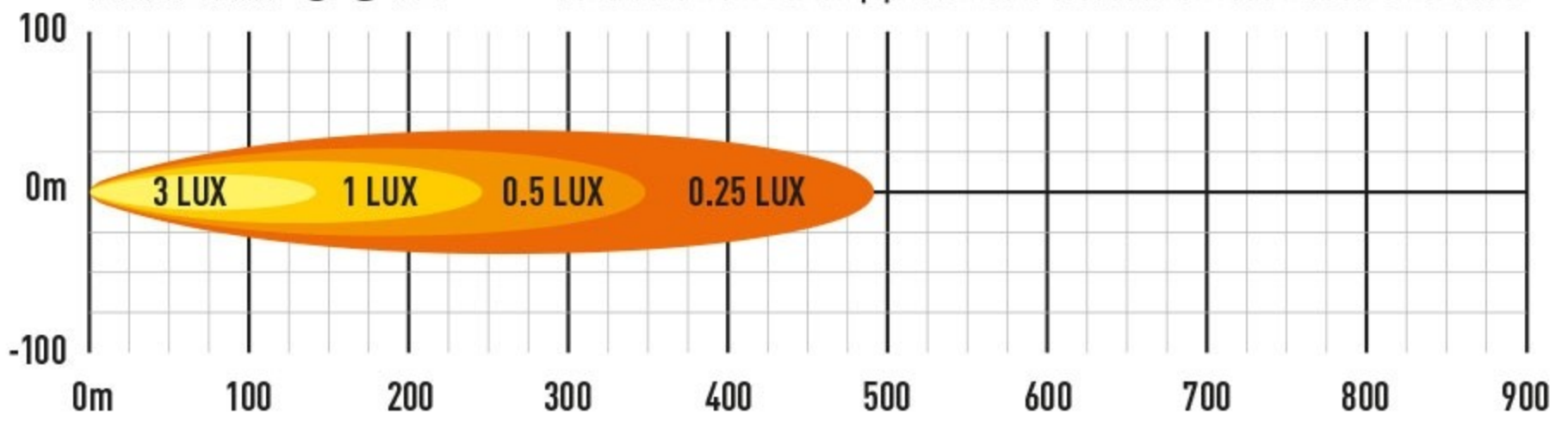
G





LINEAR-6 STD

Generated from BSI lamp photometric test data: on road measurement data



LINEAR

UNBREAKABLE POLYCARBONATE LENS

with lifetime guarantee.

VACUUM- METALLISED OPTICS

deliver an optimal balance
of light intensity and left/right
spread illumination.

CORROSION RESISTANCE

to automotive grade
standards.

LOW PROFILE CROSS-SECTION

facilitates fitting into
compact spaces.

VARIOUS INSTALL OPTIONS

available including stainless steel
side, and centre mounting brackets.

E-MARK CERTIFICATION

across the entire Linear product range.

ANTI-THEFT MOUNTING BRACKETS

and fasteners available
(included across Elite range).

AERODYNAMIC DESIGN

reduces the wind noise affecting
other installations.

ADVANCED 3W LEDs

as used in Lazer Lamps 2018/9
WRC lighting solutions.

DYNAMIC DRIVE MODULATION

is maintained at the optimal level
considering environmental and thermal
conditions of the lamp.

