

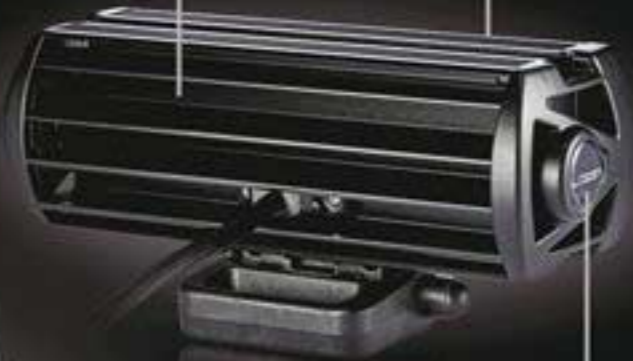
HIGH OUTPUT 11W LEDS DELIVER  
EXCEPTIONAL LIGHTING PERFORMANCE

'UNBREAKABLE'  
POLYCARBONATE LENS  
WITH LIFETIME GUARANTEE

E-MARK CERTIFIED  
FOR ON-ROAD USE

CAE OPTIMISED HEAT-SINK

E-COAT PRE-TREATMENT  
PROVIDES MAXIMUM  
CORROSION RESISTANCE



CONCEALED THREADED  
SIDE BRACKET  
MOUNTING POINT

DYNAMIC DRIVE MODULATION

DRIVE CURRENT FOR THE LEDS IS MAINTAINED AT  
THE OPTIMUM LEVEL CONSIDERING ENVIRONMENTAL  
AND THERMAL CONDITIONS OF THE LAMP

ULTRA-REFLECTIVE, VACUUM-METALLISED  
OPTICS DELIVER 'DRIVE' BEAM PATTERN  
OPTIMISED FOR RANGE AND SPREAD

SEAMLESS, LOW-PROFILE  
DESIGN FACILITATES  
INSTALLATION, AND  
REDUCES DIRT/SNOW/ICE  
ACCUMULATIONS

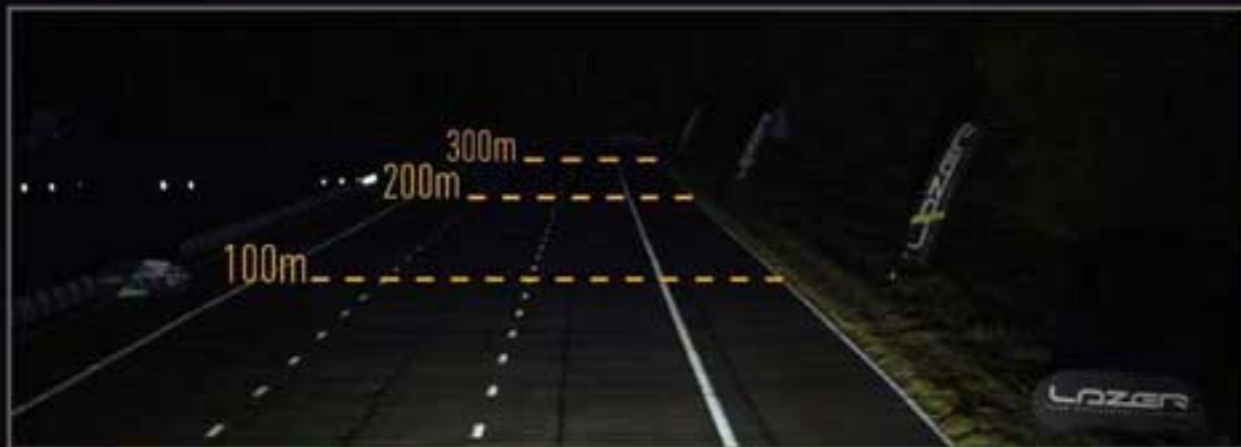
FULLY VERSATILE MOUNTING SYSTEM CAN  
BE POSITIONED ABOVE OR BELOW LAMP

# LAZER

HIGH PERFORMANCE LIGHTING

## ST2 EVOLUTION

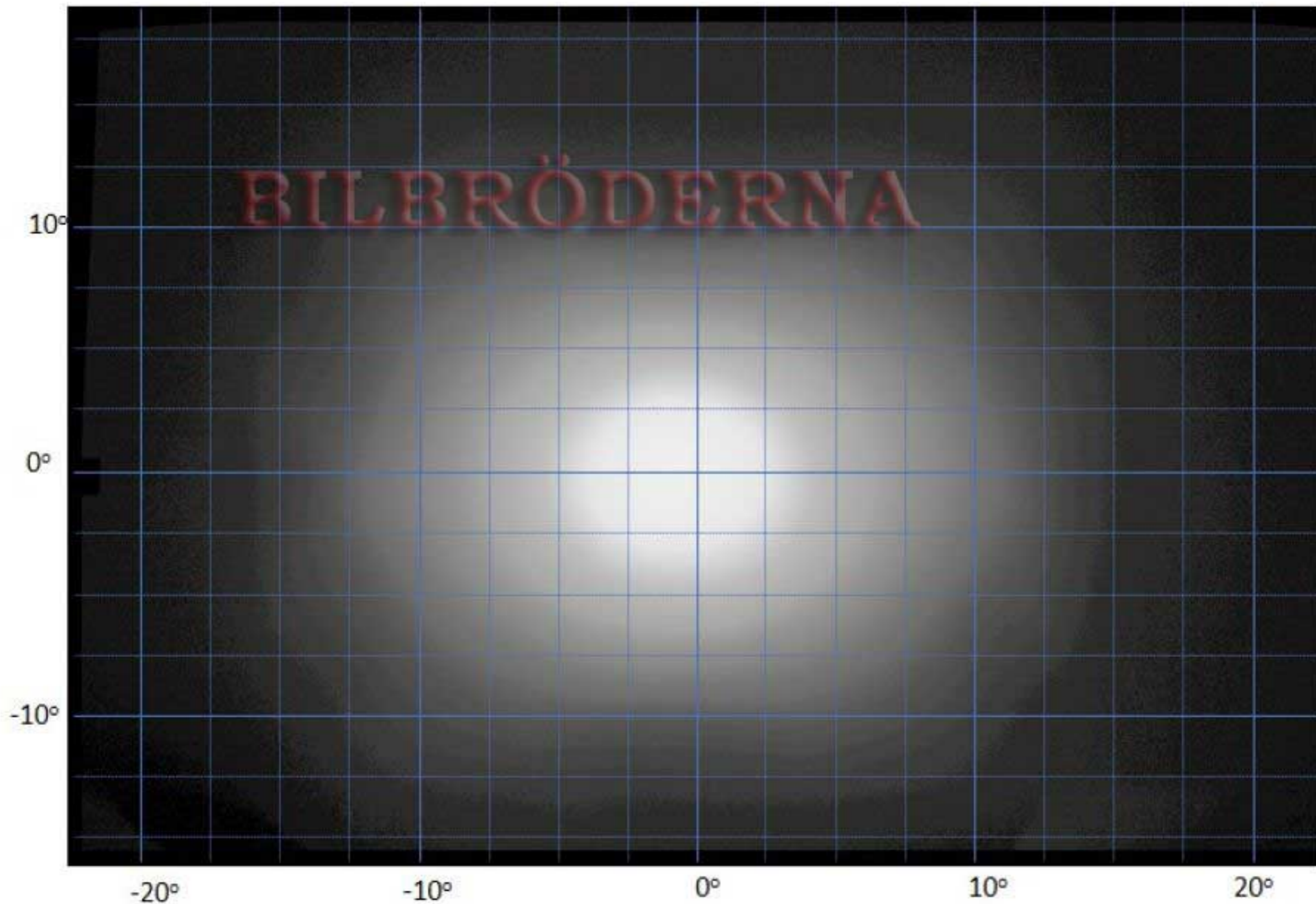
RAW LUMENS: 2,068 / 1 LUX @ 196m / E-MARK REF: 7.5



# BILBRÖDERNA

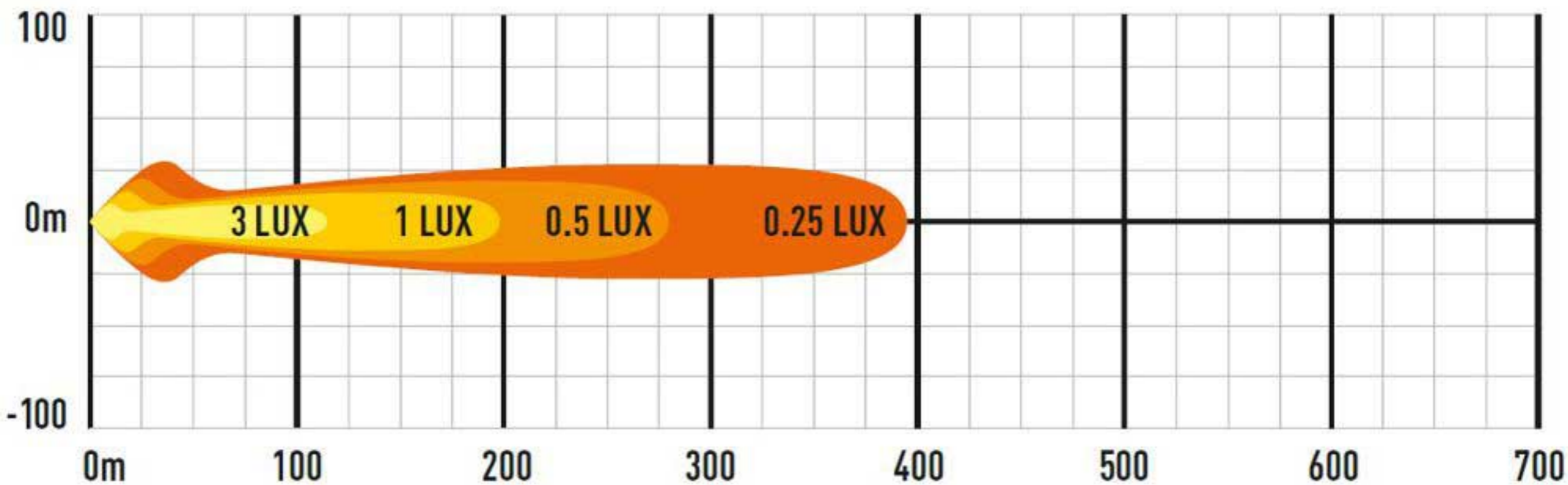


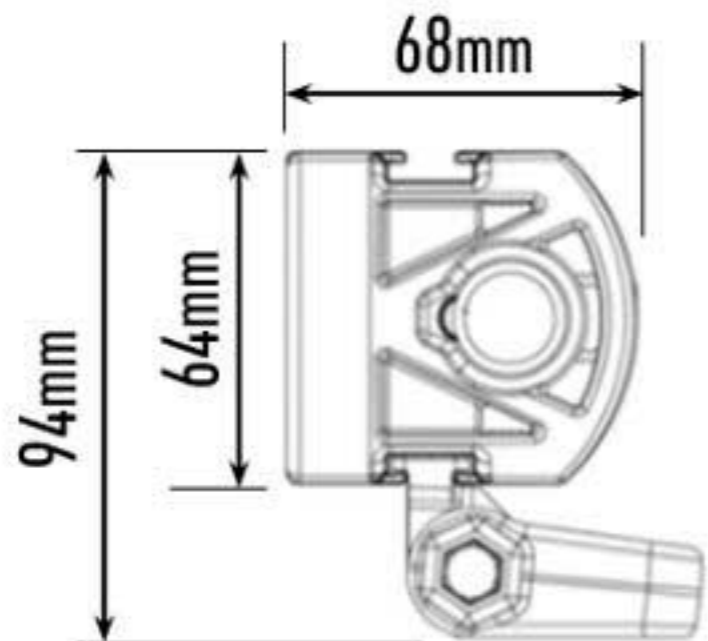
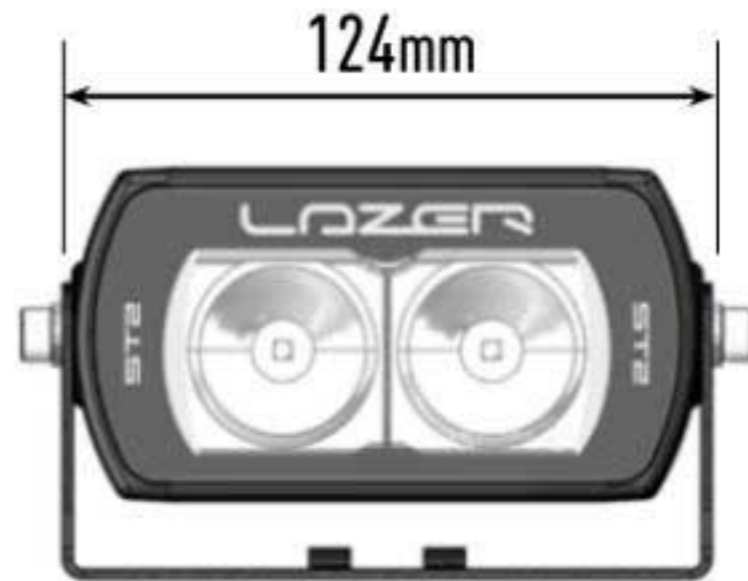
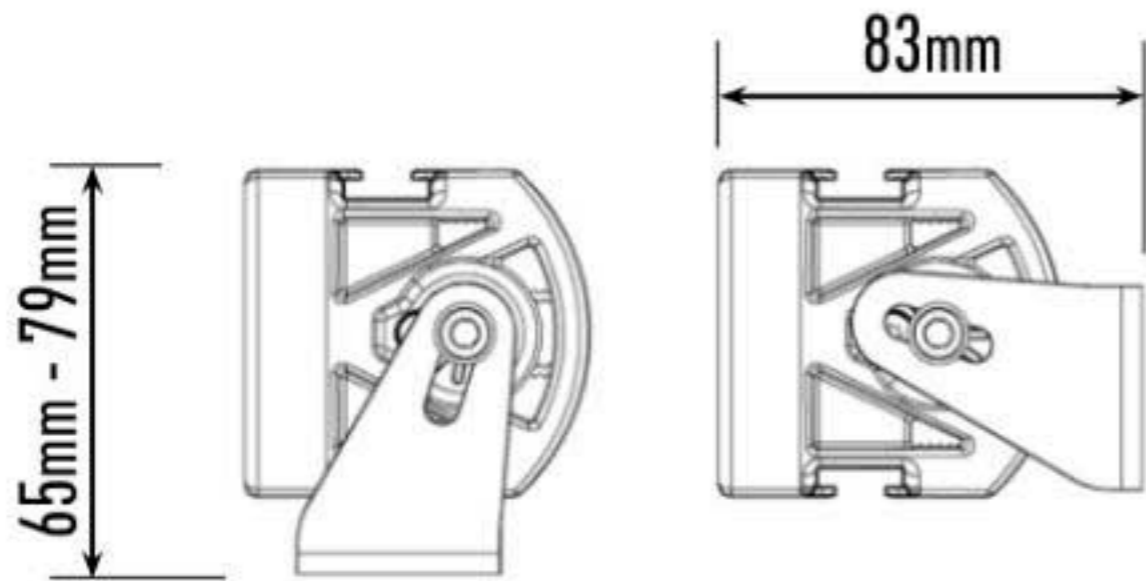




# ST2

GENERATED FROM BSI LAMP PHOTOMETRIC TEST DATA: ON ROAD MEASUREMENT DATA









FORD PERFORMANCE

BILL BOGGERINA

LAZER

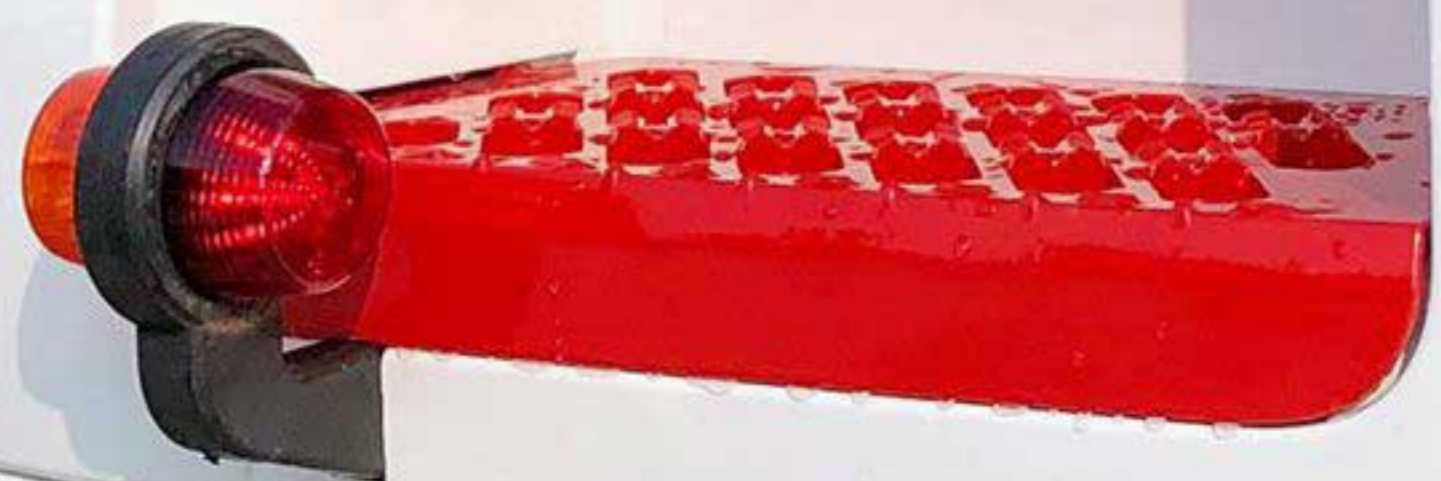


FORD

070M959  
FEB MANUFACTURER



BILBRÖDERNA







**ICXE**  
ALLENGE XTREME ELITE

**GRAND PRIX**  
**ski-doo**  
DE VALCOURT